

Your local ESSE Centre can guide you through our range to ensure you find the perfect ESSE for your home.



An explanation of stoves suitable for use in Smoke Control Zones
Smoke Control Area-approved stoves have been exempted from the Clean Air Act by DEFRA (Department for Environment, Food and Rural Affairs) and as such, are suitable for burning approved fuels in a smoke control zone.

ESSE
MASTER
STOVE SINCE 1854
MAKERS

ESSE Engineering Limited, Long Ing, Barnoldswick, Lancashire BB18 6BN
Tel: 01282 813235 Fax: 01282 816876 Email: enquiries@esse.com
www.esse.com

Every ESSE stove is made in the United Kingdom.

"ESSE" is a trade mark of ESSE Engineering Limited © ESSE Engineering Limited 2013. All rights reserved. No part of this publication may be reproduced in any form or by any means without the prior written permission of ESSE Engineering Limited.

WE ARE CONSTANTLY DEVELOPING AND IMPROVING OUR PRODUCTS. WE RESERVE THE RIGHT TO ALTER SPECIFICATIONS WITHOUT PRIOR NOTICE.

STO1013



30 HUNGRY MOUTHS TO FEED IN -45°C YOU NEED A STOVE THAT WON'T LET YOU DOWN



Shackleton's Hut

ESSE stoves were relied upon to provide hot food and warmth during the World's most famous Antarctic explorations.



CONTENTS

- 03 Heritage in the making
- 04 500 Series
- 05 525 Series
- 06 100 Series
- 08 125 Series
- 09 125 Podium
- 10 200 XK Series
- 13 200 XK Podium
- 14 700 DD
- 15 The Ironheart
- 16 Inset Stoves
- 18 Solo
- 19 Dimensions

ESSE
MASTER STOVE SINCE 1854 MAKERS

HERITAGE IN THE MAKING

ESSE has been hand-building stoves and cast iron cookers for more than a century and a half. Our stoves have continually evolved since 1854 and their quality has been tried and tested across the world.

The ESSE stove collection embodies all the beauty, quality and performance you would expect from Britain's oldest stove maker.

From the frozen wastes of the Antarctic, to hotels and hospitals throughout the British Empire - ESSE cookers and stoves have historically been relied upon in some of the most demanding situations you would ever expect to find them.

ESSE pours a century and a half of skill and experience into every product we create. Every stove is still hand built in Britain with pride, just as they always have been.

Not only are these stoves built with attention-to-detail by skilled craftsmen, they are also some of the most energy efficient on the market, helping you save on energy bills and running costs.

Today, we offer a wide range of styles and specifications to ensure there is a stove to suit you and your home perfectly.

There are models with hot water boilers, double door models and a stove that cooks to perfection. We even have stoves that are suitable for burning wood in smoke control areas under the DEFRA exemption scheme, thanks to their innovative, clean-burning design.

OVER 150 YEARS OF CONTINUOUS IMPROVEMENT

1854

Edinburgh-born James Smith sought his fortune in America developing closed stoves for the pioneers of the 'Wild West'. Smith brought this design back to Scotland and began producing ESSE stoves just before the outbreak of the American Civil War. 'Bontesse' was the first British stove to burn anthracite. It's interesting to note that right from the start ESSE was promoting fuel economy and clean-burning designs.

1900

Shackleton and Scott relied on ESSEs during their expeditions across the frozen wastes of the Antarctic.

Circa 1910

The 'Pioneer' stove was a dedicated wood burner with secondary manifold to reburn smoke, offering exceptional performance and cleaner emissions.

1950

By the mid 1900s, ESSE cookers and stoves had gained popularity in restaurants, royal households, hotels and homes across the world. They were known for their reliability and efficiency, providing hot food, water and heating, day and night.

1970

With the Suez oil crisis, ESSE launched 'The Dragon' styled directly from the original 1854 'Fame' shown below, but with large capacity, wide body to take logs. The elaborate design received critical acclaim and proved extremely popular.

2000 - present

ESSE's stove collection continues to develop with energy-efficient models in all fuel types. Wood models become available as 'smoke exempt' suitable for use in smoke control areas.



1854's ESSE 'Fame'

2013 ESSE 200 XK DD

Since 1854 we have been creating stoves that burn cleanly and efficiently. ESSE stoves and cookers have been evolving for more than 150 years, and we maintain the same ethos of fuel economy and energy efficiency. The ESSE 200 stove is a direct 'descendant' of the original ESSE 'Fame'.



500 5kW / 500 SE 3.8kW (on wood)

Imagine your perfect stove – cast iron, generous warmth and a wide clear glass window so you can watch the dancing flames. You may have just pictured the ESSE 500. Offering form and function in perfect harmony, the 500 is equally at home in an inglenook, free standing in the room or as seen here, in a classic Tudor arch stone mantel.

The 500 is a simple-to-use 5kW multi-fuel stove with twin position grate for burning either wood or solid fuel.

EFFICIENCY	83.5%
<small>Smoke control area</small> approved	
OUTPUT	3.8kW (Logs) / 5.0kW (Pureheat)
FLUE PIPE DIAMETER	5" (125mm)
APPROVED FOR USE ON DECORATIVE HEARTHES	YES
WEIGHT	84KG
ADDITIONAL ROOM VENT	NO
CLEARANCES	400mm sides, 450mm top, 305mm front



525 5kW / 525 SE 3.8kW (on wood)

A contemporary stove with footprint and output suited to the British living room. This stove features a twin position grate for burning either wood or solid fuel.

The 525 is available with either brushed steel or black legs.

EFFICIENCY	83.5%
<small>Smoke control area</small> approved	
OUTPUT	3.8kW (Logs) / 5.0kW (Pureheat)
FLUE PIPE DIAMETER	5" (125mm)
APPROVED FOR USE ON DECORATIVE HEARTHES	YES
WEIGHT	80KG
ADDITIONAL ROOM VENT	NO
CLEARANCES	400mm sides, 450mm top, 305mm front

Also available with brushed steel legs.





100 / 100 SE 5kW

The ESSE 100 is everything a stove should be. It offers the trademark ESSE wide fire view through clear glass. It boasts a slim profile, making it ideal where hearth depths are limited and in rooms where there is space for a larger stove but a bigger heat output would overwhelm the living space.

Adjustable feet mean this stove can sit perfectly on an uneven hearth and is available with top or rear flue installation options. Simple air controls make it easy to operate efficiently.

The ESSE heritage branding is cast into the door of 125, 100, 200, 525 and Podium stoves.



EFFICIENCY	82%
Smoke control area approved	
OUTPUT	5.0kW (Logs) / 4.8kW (Anthracite)
FLUE PIPE DIAMETER	5" (125mm)
APPROVED FOR USE ON DECORATIVE HEARTHES	YES
WEIGHT	84KG
ADDITIONAL ROOM VENT	NO
AFTERBURN™	YES
CLEARANCES	600mm sides, 600mm rear, 450mm top, 305mm front



100 DD / 100 DD SE 5kW

All the capabilities of the 100 with an elegant cast iron double door.

EFFICIENCY	82%
Smoke control area approved	
OUTPUT	5.0kW (Logs) / 4.8kW (Anthracite)
FLUE PIPE DIAMETER	5" (125mm)
APPROVED FOR USE ON DECORATIVE HEARTHES	YES
WEIGHT	84KG
ADDITIONAL ROOM VENT	NO
AFTERBURN™	YES
CLEARANCES	600mm sides, 600mm rear, 450mm top, 305mm front



125 / 125 SE 5kW

A modern take on the popular 100 stove. At its heart is an amazing 82% efficient fire box and a heat output of 5kW. The 125 is clothed in contemporary steel with a cast door.

The 125 is available with brushed steel legs (main picture) or matt black (right).

Also available with black legs.



EFFICIENCY	82%
OUTPUT	5.0kW (Logs) / 4.8kW (Anthracite)
FLUE PIPE DIAMETER	5" (125mm)
APPROVED FOR USE ON DECORATIVE HEARTHES	YES
WEIGHT	100KG
ADDITIONAL ROOM VENT	NO
AFTERBURN™	YES
CLEARANCES	600mm sides, 600mm rear, 450mm top, 305mm front



125 PODIUM / 125 SE PODIUM 5kW

A contemporary woodburner so good - we put it on a pedestal! The 125 Podium stove offers all the performance and energy efficiency you would expect from ESSE, combined with modern, elevated style. The new Podium promotes a stunning flame pattern, making a striking focal point for any room. This clean-burning, multi-fuel stove features ESSE's well known clear glass and excellent controllability. It offers an impressive 82% efficiency and a heat output of 5kW.

EFFICIENCY	82%
OUTPUT	5.0kW (Logs) / 4.8kW (Anthracite)
FLUE PIPE DIAMETER	5" (125mm)
APPROVED FOR USE ON DECORATIVE HEARTHES	YES
WEIGHT	100KG
ADDITIONAL ROOM VENT	NO
AFTERBURN™	YES
CLEARANCES	600mm sides, 600mm rear, 450mm top, 305mm front





200 XK 8.5kW / 200 XK SE 8kW (on wood)

The same great looks as the 100, but deeper, giving 200 XK an output of 8.5kW. The 200 XK is a multi-fuel stove with a twin position grate for burning either wood or solid fuel. Simple to use, the 200 XK features a multi-part baffle, allowing adjustment to aid flue draft.

An optional rear heat shield is available to reduce distance to combustibles.

EFFICIENCY	81.1%
Smoke control area approved	
OUTPUT	8.5kW (Logs) / 7.1kW (Anthracite)
FLUE PIPE DIAMETER	5" (125mm)
APPROVED FOR USE ON DECORATIVE HEARTHES	YES
WEIGHT	99KG
ADDITIONAL ROOM VENT	YES
AFTERBURN™	YES
CLEARANCES	400mm sides, 400mm rear, (150mm with additional heat shield), 450mm top, 305mm front



200 XK DD 8.5kW / 200 XK DD SE 8kW (on wood)

All the capabilities of the 200 XK with an elegant cast iron double door.

EFFICIENCY	82%
Smoke control area approved	
OUTPUT	8.5kW (Logs) / 7.1kW (Anthracite)
FLUE PIPE DIAMETER	5" (125mm)
APPROVED FOR USE ON DECORATIVE HEARTHES	YES
WEIGHT	99KG
ADDITIONAL ROOM VENT	YES
AFTERBURN™	YES
CLEARANCES	400mm sides, 400mm rear, (150mm with additional heat shield), 450mm top, 305mm front



200 XK CONTEMPORARY / 200 XK CONTEMPORARY SE

8.5kW / 8kW on wood (200 XK CONTEMPORARY SE)

This stove shows the 200 XK re-imagined for a more modern home. The wide, clear glass shows off the beautiful flame pattern and the stove gives out up to 8.5kW of heat to the room. The contemporary 200 XK has a twin position grate for burning wood or solid fuel.

This stove can be installed in such a way that all primary and combustion air can be supplied via a pipe fixed directly to an outside wall as an alternative to a room air vent.

EFFICIENCY	81.1%
Smoke control area approved	
OUTPUT	8.5kW (Logs) / 7.1kW (Anthracite)
FLUE PIPE DIAMETER	5" (125mm)
APPROVED FOR USE ON DECORATIVE HEARTHES	YES
WEIGHT	116KG
ADDITIONAL ROOM VENT	YES
AFTERBURN™	YES
CLEARANCES	400mm sides, 400mm rear, (150mm with additional heat shield), 450mm top, 305mm front



200 XK PODIUM / 200 XK PODIUM SE

8.5kW / 8kW on wood (200 XK PODIUM SE)

The 200 XK Podium has an impressive output of up to 8kW and a beautiful view of the flames through the almost 'full width' glass window. The cast iron door features the heritage ESSE branding and this stove would make a warm and striking focal point in any home.

Aside from the 'wow factor' of its appearance, the 200 XK, like all ESSE stoves, has been designed to perform tirelessly, with minimal refuelling.

EFFICIENCY	81.1%
Smoke control area approved	
OUTPUT	8.5kW (Logs) / 7.1kW (Anthracite)
FLUE PIPE DIAMETER	5" (125mm)
APPROVED FOR USE ON DECORATIVE HEARTHES	YES
WEIGHT	116KG
ADDITIONAL ROOM VENT	YES
AFTERBURN™	YES
CLEARANCES	400mm sides, 400mm rear, (150mm with additional heat shield), 450mm top, 305mm front



700 DD / 700 DD SE / 700 DD-27B BOILER STOVE

10kW / 9kW room 8kW water (BOILER STOVE)

For larger dwellings requiring higher outputs, the 700 double door multi-fuel convector stove offers outstanding control, stunning flame patterns and efficient combustion of the fuel. It is a genuine convector stove with inner high quality steel body clad with iron castings on the top and sides and a steel convector plate to the rear.

The 700-27B boiler model offers a total output of 60,000Btu/h (17kW), 8kW to central heating and 9kW to room. 700-27B features a tertiary air supply and thermostatic boiler control.

EFFICIENCY	78.5%
Smoke control area approved	
OUTPUT	10.5kW (Logs) / 9.5kW (Pureheat)
FLUE PIPE DIAMETER	6" (150mm)
APPROVED FOR USE ON DECORATIVE HEARTHES	YES
WEIGHT	160KG / 175KG
ADDITIONAL ROOM VENT	YES
AFTERBURN™	YES
CLEARANCES	400mm sides, 400mm rear, (250mm with additional heat shield), 450mm top, 305mm front



THE IRONHEART EW/EWB

9.7kW(EW) 10.6kW cook stove(EWB)

The Ironheart was launched in 2004 to celebrate 150 years of ESSE cookers and stoves, by embodying the quintessential features of both product types.

The Ironheart burns either wood or mineral-based solid fuel and gives up to 9.7kW depending on fuel type and settings (2.6kW to water and 8kW to space heat output – domestic hot water model).

EFFICIENCY	81.8%
OUTPUT	9.7kW
FLUE PIPE DIAMETER	6" (150mm)
APPROVED FOR USE ON DECORATIVE HEARTHES	YES
WEIGHT	308KG / 317KG
ADDITIONAL ROOM VENT	YES
AFTERBURN™	YES
CLEARANCES	EW 300mm sides, 500mm rear, 305mm front EWB 200mm sides, 400mm rear, 305mm front

Pictured above,
The Ironheart at
River Cottage



ESSE INSET STOVES

With smoke control area approved models.
“A unique solution to fireplace conversion.”

When ESSE first introduced its ‘inset’ type stoves to a pioneering Victorian Britain, they were an instant success. Several models were developed, aptly named ‘Lucesse’, ‘Jeunesse’ and ‘Bontesse.’ After the Great War even the anthracite suppliers named their fuel after ESSE; ‘Stovesse’ clean-burning fuel was born and is still burning today.

An ESSE 300 appeared in our catalogue as early as 1955, with the present 300 range of ESSE inset stoves inspired by the ‘Furnesse’ launched in 1993. True to the ESSE way, the modern inset has undergone several transformations to get to the extremely efficient, multi-fuel range of stoves that it is today.

301 EFFICIENCY	83%
350 EFFICIENCY	80%
350 GS EFFICIENCY	78.5%

	301	350	350 GS
OUTPUT	4.1kW	5.2kW	5.2kW
FLUE PIPE DIAMETER	6" (150mm)	6"	6"
WEIGHT	60KG	70KG	120KG
ADDITIONAL ROOM VENT	NO	YES	YES
CLEARANCES	150mm sides, 400mm top, 250mm front		

The 301, 350 and 350GS inset stoves are all available with a choice of any of the doors pictured.



Black



Stainless Steel

301 MF / 301 SE

5kW (MF) 4.1kW on wood (SE)

The 301 MF has a large clear window to enable you to fully appreciate your fire. It fits straight into a standard fireplace without the need to remove the brick fire back, and boasts a 5kW output when burning mineral fuel. The 301 MF features a heat exchange convection chamber which gives off convected warmth to the room.

301 SE



350 MF / 350 SE

7.5kW (MF) 6.5kW on wood (SE)

The award-winning 350 MF offers a large output of up to 7.5kW on mineral fuel. It fits straight into a standard fireplace, however the brick fire back needs to be removed to accommodate the larger firebox. Featuring a heat exchange convection chamber which gives off convected warmth to the room.

350 SE



350 GS

3.6kW (room) 11.1kW (water)

The 350 GS GreenSwitch™ is a room-heating stove with thermostatic boiler. The stove gives a modest 3.6kW to the room and a generous 11.1kW (37,873 Btu) to water. It fits into a standard fireplace, however, a depth of 364mm must be created to allow for its larger capacity firebox. The 350 GS is equipped with a control to adjust the airflow to maintain the most efficient combustion whatever the choice of fuel, and a riddling grate for use with mineral fuel. The front section is removable to assist plumbing. An external air duct kit is also available.





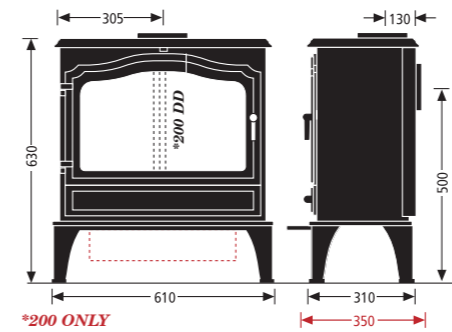
Polished

SOLO ELECTRIC 2kW

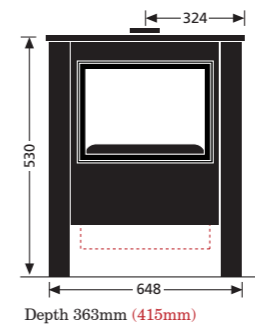
Add warmth to a room where a conventional stove is not practical. Hand-crafted in quality cast iron, Solo is both durable and efficient, soundlessly convecting up to 2kW of heat into every corner of the room. It is equipped with a thermostatic control for maximum comfort. The Solo has won the 'Best Electric Appliance' industry award and instantly became the number one high quality electric stove.

DIMENSIONS

100/DD/SE / 200XK/200DD/SE

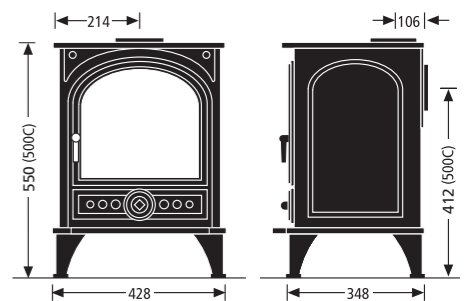


125/SE
200 CONTEMPORARY

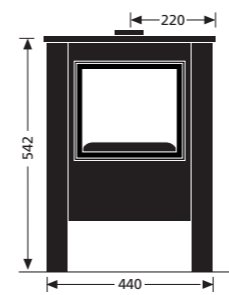


Depth 363mm (415mm)
Distance from centre of flue to back of stove 145mm (135mm) Distance from hearth to centre of flue 405mm (453mm) *200 ONLY

500/SE

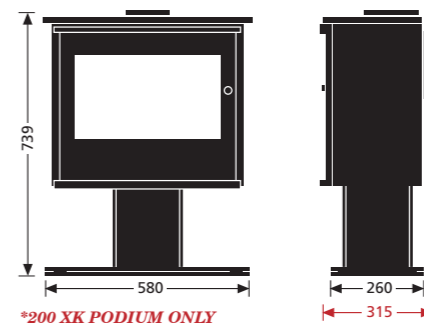


525 / 525 SE

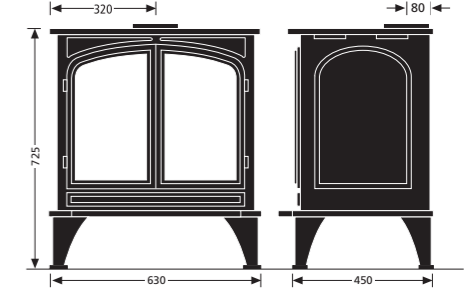


Depth 380mm
Distance from centre of flue to back of stove 140mm, Distance from hearth to centre of flue 415mm (585)

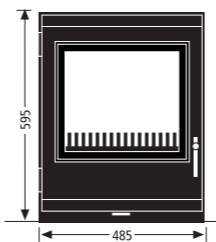
125 PODIUM / 200XK PODIUM / SE



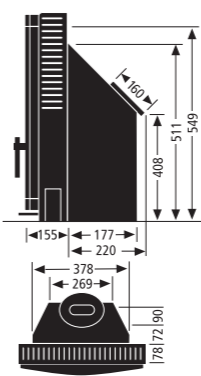
700/SE / 27B



301/SE / & 350/SE

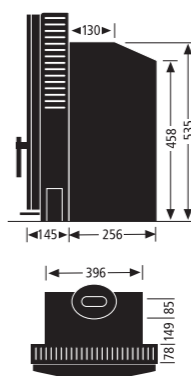


301/SE

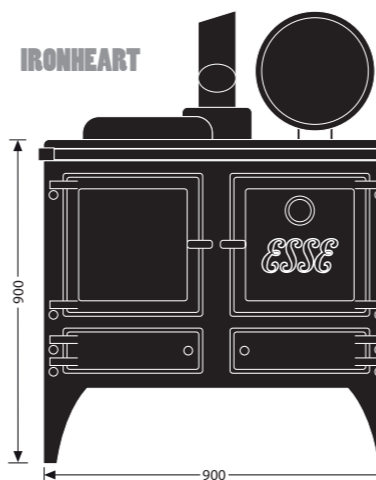
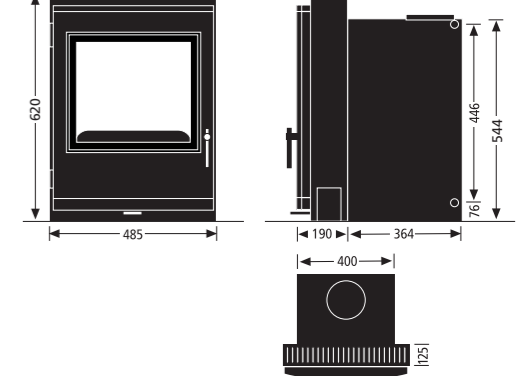


A round flue adaptor is available to allow connection to a flue pipe or flexible chimney liner. This can be connected to the liner and then fitted from inside the stove.

350/SE



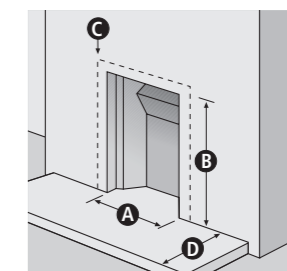
350 CS



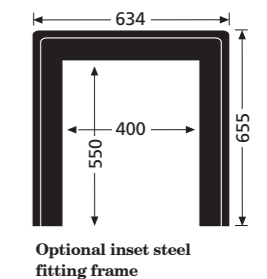
IRONHEART



SOLO



Fireplace dimensions for ALL models
A) Between 396 & 420mm
B) Between 540 & 560mm
C) Extending 50mm around opening.
D) Hearth at least 400mm deep without obstructions that could prevent the door from opening.



Optional inset steel fitting frame