

 ILVE



ILVE Collection 2018

The ILVE Collection



ILVE have been building beautiful range cookers and appliances since 1952. Based near Venice, ILVE supply cookers all over the world and the name is synonymous with quality, style and the very best in cooking technology.

All ILVE ovens are A rated for efficiency and are built using only the finest materials.

Your investment in an ILVE cooker means that you can relax and enjoy your appliance for many years to come.

**kitchenEx™**

ILVE appliances are exclusively supplied in the UK by KitchenEX Limited.

0845 548 3130

[office@kitchenex.co.uk](mailto:office@kitchenex.co.uk)

[www.ilveappliances.co.uk](http://www.ilveappliances.co.uk)



The best kept secret in range cooking...	6
ILVE range cookers	8
Unique ILVE features	10
ILVE hob configurations	12
ILVE oven functions	14
Roma Collection	18
Milano Collection	32
Majestic Roma Collection	46
Majestic Milano Collection	54
Moderna Collection	62
Ultimo Collection	66
Built in ovens	70
Built in hobs	80
Hoods	94
Accessories	100





# The best kept secret in range cooking...

ILVE have been creating high quality, beautiful range cookers for over 50 years. ILVE range cookers are built to endure everyday life with specially crafted, robust characteristics that are designed to withstand the test of time.

Created with the passionate cook in mind, ILVE range cookers are packed full of the latest cooking technologies and innovative features to help to ensure that cooking at home is always a pleasure.

- A Rich Heritage – ILVE range cookers have been hand built near Venice by the same family run factory since 1952. ILVE range cookers are characterised by their classic Italian style drawing on both traditional influences and contemporary design qualities.
- Innovative Technology – ILVE are constantly working to add new technology to their full range of appliances. Since introducing the teppanyaki style Fry Top in the 90's, ILVE has continued to add innovative new features such as dual fuel gas hob tops with 2 induction zones and digital oven temperature control.
- Energy Efficient – ILVE ovens are A rated for energy efficiency with triple glazed doors and innovative energy saving features.
- Finest Components - Each cooker is hand crafted using only the finest stainless steel, durable cast-iron pan supports and specially designed brass gas burners – developed to endure long cooking periods.
- Dedicated Service – Each ILVE cooker is supplied with a 2 year warranty for parts and labour as standard. We have a nationwide team of engineers and a dedicated UK based customer service team.

## 300°

### E3 Precision Temperature Control

ILVE's Premium Collection of range cookers now feature the latest technology in oven temperature control. The oven temperature is now digitally adjusted in precise, 5°C increments from 30°C to 300°C.



### Colour Matching Service for Range Cookers

ILVE's premium collection of range cookers now have the ability to be colour matched to one of 1625 RAL custom colour choices, giving you freedom to create your perfect range cooker.

# The ILVE Premium Collection of range cookers comprises of 3 core styles, Roma, Milano and Majestic.



## Roma

---

The Roma range encapsulates modern Italian styling with crisp, clean lines and a contemporary stainless steel trim. The Roma range suits any kitchen design and is available with solid doors in select widths.



## Milano

---

The Milano range symbolises traditional Italian flair with embellished handles and controls and an increased selection of colours. Milano range cookers can be designed with either chrome, brass or antique bronze trim.

## Majestic

---

The Majestic range is comprised of 2 styles; Majestic Roma and Majestic Milano.



### Majestic Roma

The Majestic Roma has a contemporary style, with modern stainless steel handles and controls and a wide choice of colour options.



### Majestic Milano

The Majestic Milano is traditionally styled, with embellished handles and controls, a choice of trim finishes including chrome, brass and antique bronze and unique shaped feet.

# ILVE range cookers

---

150cm

120cm  
60/60

120cm  
80/40

120cm  
90/30

110cm  
XG

100cm  
XG

## Roma

---



## Milano

---



## Majestic Roma

---



## Majestic Milano

---





100cm  
Twin

90cm  
Twin

90cm  
Single

80cm  
Single

76cm  
Single

70cm  
Twin

70cm  
Single

60cm  
Single

## Roma



## Milano



## Majestic Roma



## Majestic Milano



# Unique ILVE features





### **E3 Precision Temperature Control**

Renowned for innovative cooking technology throughout the world, ILVE have added advance features to range cookers; features which are usually reserved for the realm of built-in ovens.

The new improved digital temperature control feature has so far been lacking from the range cooker market – no longer do range cooker users have to endure inaccurate cooking conditions.

#### **Key Features of E3:**

- Precision temperature control
- Digital display controls all oven temperatures
- Temperatures range from 30°C to 300°C
- Adjusts in 5°C increments
- Rotary controls adjust each oven

E3 is available on all Roma, Milano, Majestic Roma and Majestic Milano models.



### **ILVE colour matching service**

Choose from 1625 RAL colours for hundreds of range cooker possibilities.

ILVE rangecookers can now be colour matched to hundreds of different colour choices as an additional extra. Using the universal RAL colour system, Milano, Roma, Majestic Milano and Majestic Roma range cookers now have the option to be customised to a unique colour choice.

To find out more about the colour matching service, please enquire with your ILVE retailer who will be happy to talk you through the options available.

For a comprehensive list of RAL colours available, please visit the Official RAL Website.

<http://www.ralcolor.com/>

# ILVE Hob Configurations

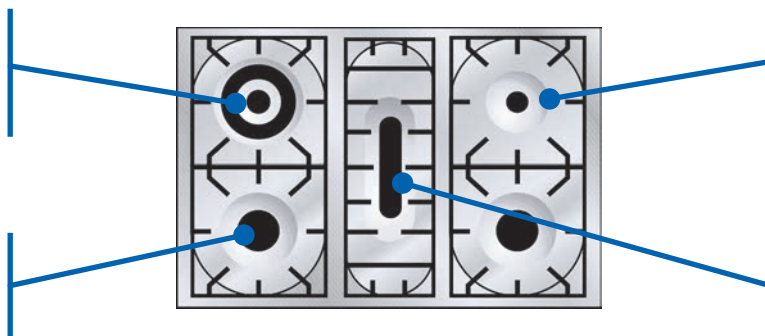


## Gas Hobs

ILVE gas hobs feature Flame Failure Devices and cast iron pan supports as standard. ILVE have also developed their own patented brass burners that provide powerful and efficient heat.

### Wok Burner

- Max: 4.3kW
- Min: 1.7kW
- Ø120mm



### Small Burner

- Max: 1.8kW
- Min: 0.4kW
- Ø55mm

### Medium Burner

- Max: 2.6kW
- Min: 0.6kW
- Ø70mm

### Fish Burner / Fry Top Burner

- Max: 3.1kW
- Min: 1kW

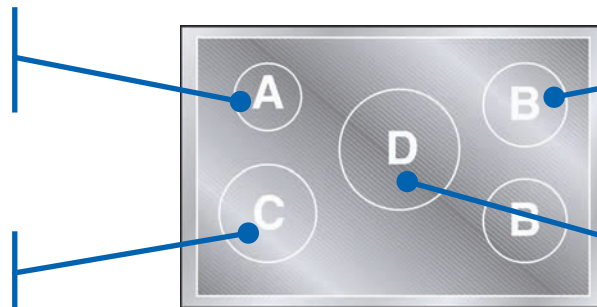
## Induction Hobs

ILVE Induction zones offer state of the art performance and are packed full of useful features including a child safety lock, overflow detection and a power boost function.

Induction hobs are as controllable as gas and much more efficient and safer to use than ceramic hobs.

### Small Zone

- Ø145mm
- Max: 1.4kW
- Max with Boost: 1.85kW



### Medium Zone

- Ø180mm
- Max: 1.85kW
- Max with Boost: 2.5kW

### Large Zone

- Ø210mm
- Max: 2.3kW
- Max with Boost: 3.2kW

### Extra Large Zone

- Ø260mm
- Max: 2.4kW
- Max with Boost: 3.2kW

## Additional Options



### Fry top

The Fry Top griddle takes its inspiration from Japanese Teppanyaki style cooking. Made from 8mm thick solid stainless steel, the Fry Top is perfect for cooking breakfasts and stir frying.



### 2-zone Induction

The 2 Zone Induction option allows certain models to have dual fuel hobs. With a digital display, 9 heat levels and a child lock function, the 2 Zone Induction offers optimum versatility on the hob.

- Max: 1.85kW x 2
- Total: 3.7kW



### Coup-de-feu

The large cast iron Coup de Feu uses a gas burner beneath to recreate a traditional French style of cooking by offering concentrated heat in the centre with the coolest area on the outside. This allows several pans to be used at the same time and is perfect for simmering delicate sauces and quickly moving from hot to cool.

- Max: 2.6kW

# ILVE oven functions



## Pizza Oven

A hot base element and a low grill element mimics a traditional pizza furnace, recreating the perfect conditions to cook fresh pizza.



## Conventional Oven

This setting uses the elements at both the top and bottom, producing varying heat throughout the oven; the programmed heat is in the centre with hotter zones above and below. The conventional oven setting is ideal for fruit cakes and large roast meats such as the Christmas Turkey.



## Slow Cooker

This setting is designed for low temperature cooking for long periods. Coupled with the delayed timer on and off setting, this function works exactly like a traditional slow cooker appliance. Perfect for casseroles.



## Browning Oven

This uses the upper element to provide a consistent top heat which is ideal for melting cheese and browning the top of a shepherd's pie.



## Roasting Oven

The fan assisted oven uses both the top and bottom elements with the addition of a fan, making this a fierce oven setting. Perfect for roasting joints of meat, vegetables and chips.



## Baking Oven

This "true fan" setting is designed specifically for bakers. Using a circular element at the rear of the cooker and a fan, the Baking Oven function works best with two or more oven pans. Hardly any heat is lost when opening the oven door, making it the ideal setting for batch baking cakes and pastries.



### Quick Start

The quick start function will bring the oven temperature up to 200°C in just 6 minutes, after which you can switch to your desired cooking function.



### Fanned Grill

This function makes grilling twice as quick by moving heated air around your food. Using the grill pan on a rung lower, the fanned grill cooks food on both sides. The Fanned Grill is perfect for grilling sausages, burgers and kebabs.



### Standard Grill

A traditional high power electric grill which is best at grilling bread based foods such as toast and crumpets.



### Rotisserie

Using the standard grill and ILVE's specially designed rotisserie spit, the rotisserie function is the perfect way to cook roast birds and joints of meat. The continuously turning spit allows the meat to self-baste and ensures minimal mess.



### Eco Cooking

The Eco function allows you to cook with considerable energy savings. It is particularly useful if you only need to cook a small amount of food on one shelf. A small amount of energy is consumed thanks to the programme's combination of the grill, bottom element and fan to cook food.

# ILVE oven specifications



## 80cm / 90cm Oven

- Internal Dimensions (cm) : 64 (w) x 35 (h) x 45 (d)
- Capacity : 78.6 litres
- Electric Grill - 2.2kW
- Circular Element - 2.4kW
- QuickStart MAX - 3.4kW
- Rotisserie Spit

### Multifunction Oven

- Upper Element - 0.9kW
- Lower Element - 1.5kW

### Fan Gas Oven

- Fan Gas Burner - 3500W
- Gas Max - 2.3kW



## 70cm Oven

- Internal Dimensions (cm) : 54 (w) x 35 (h) x 45 (d)
- Capacity : 67.3 litres
- Electric Grill - 2.2kW
- Circular Element - 2.4kW
- QuickStart MAX - 3.4kW
- Rotisserie Spit

### Multifunction 70cm Oven

- Upper Element - 0.9kW
- Lower Element - 1.5kW

### Fan Gas 60cm Oven

- Fan Gas Burner - 3000W
- Gas Max - 2.3kW



## 60cm Oven

- Internal Dimensions (cm) : 44 (w) x 35 (h) x 45 (d)
- Capacity : 53.4 litres
- Electric Grill - 1.6kW
- Lower Element - 1.3kW
- Circular Element - 2.4kW
- QuickStart MAX - 3.4kW

### Multifunction 60cm Oven

- Upper Element - 0.9kW

### Fan Gas 60cm Oven

- Fan Gas Burner - 2500W
- Gas Max - 1.7kW



## 40cm Oven

- Internal Dimensions (cm) : 36 (w) x 35 (h) x 45 (d)
- Capacity : 43.7 litres
- Electric Grill - 1.6kW
- Upper Element - 0.85kW
- Lower Element - 0.9kW
- 1.9 kW MAX
- Rotisserie Spit

Please note: Supply may vary depending on usage. Please consult a qualified electrician for amperage and specific circuit requirements.





### 30cm Oven

- Internal Dimensions (cm) :  
26 (w) x 35 (h) x 45 (d)
- Capacity : 30.8 litres
- Electric Grill - 1.5kW
- Upper Element - 0.8kW
- Lower Element - 0.8kW
- 1.7 kW MAX
- Rotisserie Spit



### XG Grill

- Internal Dimensions (cm) :  
44 (w) x 15 (h) x 45 (d)
- Capacity : 20.2 litres
- Electric Grill - 2.4kW
- MAX - 2.5kW



### 60cm Compact oven

- Internal Dimensions (cm) :  
44 (w) x 35 (h) x 45 (d)
- Capacity : 35.1 litres
- Electric Grill- 1.6kW
- Upper Element - 0.9kW
- Lower Element - 1.3kW
- Circular Element - 2.4kW
- QuickStart MAX - 2.9kW

Please note: Supply may vary depending on usage. Please consult a qualified electrician for amperage and specific circuit requirements.



# Roma Collection

The Roma collection of range cookers are distinguished by their contemporary, Italian style. With crisp clean lines and modern stainless steel handles and controls, Roma range cookers are perfect for any kitchen design.

Available in a variety of colours including stainless steel, gloss black, matt black, white or cream and in a large range of sizes from the compact 60cm cooker to the mighty 150cm twin oven range cooker, the Roma is the perfect addition to any size kitchen. A number of Roma models are also available with solid doors which give the cooker a traditional feel whilst being packed full of advanced cooking technology.

Choose the best design to match your cooking needs with up to 5 different hob configurations including induction, gas, fry top and coup de feu. You can choose to have either an electric or gas oven, with a wide selection of oven sizes and arrangements. Made from the finest materials, The Roma collection of cookers are all A-rated for energy efficiency and have a whole host of oven functions and innovative features.



# Roma 150cm

PW150



## Colours

Stainless Steel

Gloss Black

Matt Black

White

Cream

## Trim

Stainless Steel



Colour matching

E3  
E3 temperature controlA  
Energy rating

## Features

- E3 digital oven temperature controls
- Temperature range from 30°C to 300°C
- Multifunction oven with 9 cooking settings
- Programmable timer
- Fascia cooling fan keeps controls cool
- Quick start rapid heat up
- One-handed ignition control
- Flame failure devices
- Individual cast iron pan supports
- Unique high efficiency solid brass burners
- Catalytic "stay-clean" liners to roof, rear and sides of the oven
- Pull down oven door with removable glass for easy cleaning
- Full width storage drawer
- Triple-glazed, cool to touch door
- Height adjustable stainless steel feet
- Child safety lock
- Full width rotisserie in left hand oven
- 2 wire shelves, grill pan and trivet in both ovens

## Special Features

- Rotisserie fitting in the left-hand oven
- 2 wire shelves and grill pans in both ovens

## Accessories

- Stainless steel back panel
- Plinth kit
- Cast-iron griddles

## Hoods



**Modern**  
AGQ150

## Hob configurations



Fry Top

Fry Top +  
Coup de Feu

Coup de Feu

PW150	E3 CODE	Max Load W	Gas CODE	Max Load W
Fry Top	PW150FE3	6800	PW150FVG	5700
Fry Top + Coup de Feu	PW150FSE3	6800	PW150FSVG	5700
Coup de Feu	PW150SE3	6800	PW150SVG	5700

	Width mm	Height mm	Depth mm	Oven Litres
<b>Cooker Dimensions</b>	1500	850 - 910	600	
<b>Left Oven Internal Dimensions</b>	640	350	450	78.6
<b>Right Oven Internal Dimensions</b>	440	350	450	53.4

# Roma 120cm 60/60



PDW120



## Colours

- Stainless Steel
- Gloss Black
- Matt Black
- White
- Cream

## Trim

- Stainless Steel



Colour matching



E3 temperature



Energy rating

## Features

- E3 digital temperature controls in both ovens
- Temperature range from 30°C to 300°C
- 2 multifunction ovens with 9 cooking settings
- Programmable timers in both ovens
- Fascia cooling fan keeps controls cool
- Quick start rapid heat up
- One-handed ignition control
- Flame failure devices
- Individual cast iron pan supports
- Unique high efficiency solid brass burners
- Catalytic “stay-clean” liners to roof, rear and sides of both ovens
- Pull down oven doors with removable glass for easy cleaning
- Full width storage drawer
- Triple-glazed, cool to touch doors
- Height adjustable stainless steel feet
- Child safety lock
- 2 wire shelves, grill pans and trivets in both ovens

## Special Features

- 2 wire shelves and grill pans in both ovens

## Accessories

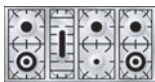
- Stainless steel back panel
- Plinth kit
- Cast-iron griddles

## Hoods



**Modern**  
AGQ120

## Hob configurations



**7 Burner**



**Fry Top**



**Coup de Feu**

PDW120	E3 CODE	Max Load W	Gas CODE	Max Load W
<b>7 Burner</b>	PDW1207E3	6550	PDW1207VG	5140
<b>Fry Top</b>	PDW120FE3	6550	PDW120FVG	5140
<b>Coup de Feu</b>	PDW120SE3	6550	PDW120SVG	5140

	Width mm	Height mm	Depth mm	Oven Litres
<b>Cooker Dimensions</b>	1200	850 - 910	600	
<b>Left Oven Internal Dimensions</b>	440	350	450	53.4
<b>Right Oven Internal Dimensions</b>	440	350	450	53.4



# Roma 120cm 80/40

PSW120



## Colours

Stainless Steel

Gloss Black

Matt Black

White

Cream

## Trim

Stainless Steel



Colour matching



E3 temperature control

## Features

- E3 digital temperature controls in both ovens
- Temperature range from 30°C to 300°C
- Programmable timers in both ovens
- Left hand multifunction oven with 9 cooking settings
- Right hand conventional oven with 5 functions including rotisserie
- Fascia cooling fan keeps controls cool
- Quick start rapid heat up
- One-handed ignition control
- Flame failure devices
- Individual cast iron pan supports
- Unique high efficiency solid brass burners
- Catalytic "stay-clean" liners to roof, rear and sides of both ovens
- Pull down oven doors with removable glass for easy cleaning
- Full width storage drawer
- Triple-glazed, cool to touch doors
- Height adjustable stainless steel feet
- Child safety lock
- Rotisserie fittings in both ovens
- 2 wire shelves, grill pan and trivet in the left oven
- 1 wire shelf, grill pan and trivet in the right oven

## Special Features

- Rotisserie fittings in both ovens

## Accessories

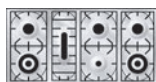
- Stainless steel back panel
- Plinth kit
- Cast-iron griddles

## Hoods



**Modern**  
AG120

## Hob configurations



7 Burner



Fry Top



Coup de Feu

PSW120	E3 CODE	Max Load W	Gas CODE	Max Load W
7 Burner	PSW1207E3	5300	PSW1207VG	4200
Fry Top	PSW120FE3	5300	PSW120FVG	4200
Coup de Feu	PSW120SE3	5300	PSW120SVG	4200

	Width mm	Height mm	Depth mm	Oven Litres
<b>Cooker Dimensions</b>	1200	850 - 910	600	
<b>Left Oven Internal Dimensions</b>	540	350	450	67.3
<b>Right Oven Internal Dimensions</b>	360	350	450	43.7

# Roma 120cm 90/30



PW120



## Colours

- Stainless Steel
- Gloss Black
- Matt Black
- White
- Cream

## Trim

- Stainless Steel



Colour matching



E3 temperature control



Energy rating

## Features

- E3 digital temperature controls in both ovens
- Temperature range from 30°C to 300°C
- Programmable timers in both ovens
- Left hand multifunction oven with 9 cooking settings
- Right hand conventional oven with 5 functions including rotisserie
- Fascia cooling fan keeps controls cool
- Quick start rapid heat up
- One-handed ignition control
- Flame failure devices
- Individual cast iron pan supports
- Unique high efficiency solid brass burners
- Catalytic "stay-clean" liners to roof, rear and sides of both ovens
- Pull down oven doors with removable glass for easy cleaning
- Full width storage drawer
- Triple-glazed, cool to touch doors
- Height adjustable stainless steel feet
- Child safety lock
- Rotisserie fittings in both ovens
- 2 wire shelves, grill pan and trivet in the left oven
- 1 wire shelf, grill pan and trivet in the right oven

## Special Features

- Rotisserie fittings in both ovens

## Accessories

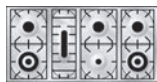
- Stainless steel back panel
- Plinth kit
- Cast-iron griddles

## Hoods

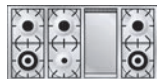


**Modern**  
AGQ120

## Hob configurations



7 Burner



Fry Top



Coup de Feu

PW120	E3 CODE	Max Load W	Gas CODE	Max Load W
7 Burner	PW1207E3	5100	PW1207VG	4000
Fry Top	PW120FE3	5100	PW120FVG	4000
Coup de Feu	PW120SE3	5100	PW120SVG	4000

	Width mm	Height mm	Depth mm	Oven Litres
<b>Cooker Dimensions</b>	1200	850 - 910	600	
<b>Left Oven Internal Dimensions</b>	640	350	450	78.6
<b>Right Oven Internal Dimensions</b>	260	350	450	30.8



# Roma 110cm XG

PTW110 / PTQ110



## Colours

Stainless Steel

Gloss Black

Cream

## Trim

Stainless Steel



Colour matching



E3 temperature control



Energy rating

## Features

- E3 digital temperature controls in both ovens
- Temperature range from 30°C to 300°C
- Left hand multifunction oven with 9 cooking settings
- Right hand conventional oven with 5 functions including rotisserie
- Separate grill compartment with grill pan and sliding runners
- Programmable timers in both ovens
- Fascia cooling fan keeps controls cool
- Quick start rapid heat up
- One-handed ignition control
- Flame failure devices
- Individual cast iron pan supports
- Unique high efficiency solid brass burners
- Catalytic "stay-clean" liners to roof, rear and sides of both ovens
- Pull down oven doors with removable glass for easy cleaning
- Storage Drawer
- Triple-glazed, cool to touch doors
- Child safety lock
- Rotisserie in right hand oven
- 2 wire shelves, grill pan and trivet in the left oven
- 1 wire shelf, grill pan and trivet in the right oven
- Solid stainless steel Fry Top with alternative pan supports supplied
- Plinth kit included

## Special Features

- Available with Solid Doors (SD)
- Separate Grill
- Plinth Kit Included

## Accessories

- Stainless steel back panel
- Cast-iron griddles

## Hoods



**Modern**  
AGQ100

## Hob configurations



**6 Burner Fry Top**

PTW110 / PTQ110	E3 CODE	Max Load W
<b>6 Burner Fry Top</b>	PTW110FE3	7800
<b>SD 6 Burner Fry Top</b>	PTQ110FE3	7800

	Width mm	Height mm	Depth mm	Oven Litres
<b>Cooker Dimensions</b>	1100	910	600	
<b>Left Oven Internal Dimensions</b>	440	350	450	53.4
<b>Right Oven Internal Dimensions</b>	360	350	450	43.7
<b>Extra Grill Internal Dimensions</b>	440	150	450	20.2

# Roma 100cm XG



PTW100 / PTQ100



## Colours

Stainless Steel

Gloss Black

Cream

## Trim

Stainless Steel



Colour matching

E3

E3 temperature control

A

Energy rating

## Features

- E3 digital temperature controls in both ovens
- Temperature range from 30°C to 300°C
- Left hand multifunction oven with 9 cooking settings
- Right hand conventional oven with 5 functions including rotisserie
- Separate grill compartment with grill pan and sliding runners
- Programmable timers in both ovens
- Fascia cooling fan keeps controls cool
- Quick start rapid heat up
- One-handed ignition control
- Flame failure devices
- Individual cast iron pan supports
- Unique high efficiency solid brass burners
- Catalytic “stay-clean” liners to roof, rear and sides of both ovens
- Pull down oven doors with removable glass for easy cleaning
- Storage drawer
- Triple-glazed, cool to touch doors
- Child safety lock
- Rotisserie in right hand oven
- 2 wire shelves, grill pan and trivet in the left oven
- 1 wire shelf, grill pan and trivet in the right oven
- Plinth kit included

## Special Features

- Available with Solid Doors (SD)
- Separate Grill
- Plinth Kit Included

## Accessories

- Stainless steel back panel
- Cast-iron griddles

## Hoods



**Modern**  
AGQ100



**Classic**  
AGK100

## Hob configurations



**6 Burner**



**Fry top**



**6 Zone Induction**

PTW100	E3 CODE	Max Load W
<b>6 Burner</b>	PTW1006E3	7800
<b>Fry Top</b>	PTW100FE3	7800
<b>6 Zone Induction</b>	PTW1100E3	19260
<b>SD 6 Burner</b>	PTQ1006E3	7800
<b>SD Fry Top</b>	PTQ100FE3	7800
<b>SD 6 Zone Induction</b>	PTQ1100E3	19260

	Width mm	Height mm	Depth mm	Oven Litres
<b>Cooker Dimensions</b>	1000	910	600	
<b>Left Oven Internal Dimensions</b>	440	350	450	53.4
<b>Right Oven Internal Dimensions</b>	360	350	450	43.7
<b>Extra Grill Internal Dimensions</b>	440	150	450	20.2





# Roma 100cm Twin

PDW100



## Colours

Stainless Steel

Gloss Black

Matt Black

White

Cream

## Trim

Stainless Steel



Colour matching

E3

E3 temperature control

A

Energy rating

## Features

- E3 digital temperature controls in both ovens
- Temperature range from 30°C to 300°C
- Left hand multifunction oven with 9 cooking settings
- Right hand conventional oven with 5 functions including rotisserie
- Programmable timers in both ovens
- Fascia cooling fan keeps controls cool
- Quick start rapid heat up
- One-handed ignition control
- Flame failure devices
- Individual cast iron pan supports
- Unique high efficiency solid brass burners
- Catalytic "stay-clean" liners to roof, rear and sides of both ovens
- Pull down oven doors with removable glass for easy cleaning
- Full width storage drawer
- Triple-glazed, cool to touch doors
- Height adjustable stainless steel feet
- Child safety lock
- Rotisserie in right hand oven
- 2 wire shelves, grill pan and trivet in the left oven
- 1 wire shelf, grill pan and trivet in the right oven

## Accessories

- Stainless steel back panel
- Plinth kit
- Cast-iron griddles

## Hoods

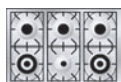


**Modern**  
AGQ100



**Classic**  
AGK100

## Hob configurations



6 Burner



Fry Top



6 Zone Induction



Coup de Feu



2 Zone Induction

PDW100	E3 CODE	Max Load W	Gas CODE	Max Load W
6 Burner	PDW1006E3	5300	PDW1006VG	3640
Fry Top	PDW100FE3	5300	PDW100FVG	3640
6 Zone Induction	PDW100E3	16400		
Coup de Feu	PDW100SE3	5300	PDW100SVG	3640
2 Zone Induction	PDW100IE3	9000		

	Width mm	Height mm	Depth mm	Oven Litres
<b>Cooker Dimensions</b>	1000	850 - 910	600	
<b>Left Oven Internal Dimensions</b>	440	350	450	53.4
<b>Right Oven Internal Dimensions</b>	360	350	450	43.7

# Roma 90cm Twin



PDW90



## Colours

- Stainless Steel
- Gloss Black
- Matt Black
- White
- Cream

## Trim

- Stainless Steel



Colour matching



E3 temperature control



Energy rating

## Features

- E3 digital temperature controls in both ovens
- Temperature range from 30°C to 300°C
- Left hand multifunction oven with 9 cooking settings
- Right hand conventional oven with 5 functions including rotisserie
- Programmable timers in both ovens
- Fascia cooling fan keeps controls cool
- Quick start rapid heat up
- One-handed ignition control
- Flame failure devices
- Individual cast iron pan supports
- Unique high efficiency solid brass burners
- Catalytic “stay-clean” liners to roof, rear and sides of both ovens
- Pull down oven doors with removable glass for easy cleaning
- Full width storage drawer
- Triple-glazed, cool to touch doors
- Height adjustable stainless steel feet
- Child safety lock
- Rotisserie in right hand oven
- 2 wire shelves, grill pan and trivet in the left oven
- 1 wire shelf, grill pan and trivet in the right oven

## Accessories

- Stainless steel back panel
- Plinth kit
- Cast-iron griddles

## Hoods

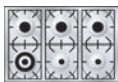


**Modern**  
AGQ90

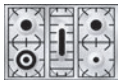


**Classic**  
AGK90

## Hob configurations



**6 Burner**



**5 Burner**



**Fry Top**



**5 Zone Induction**



**2 Zone Induction**

PDW90	E3 CODE	Max Load W	Gas CODE	Max Load W
<b>6 Burner</b>	PDW906E3	5100	PDW906VG	3440
<b>5 Burner</b>	PDW90E3	5100	PDW90VG	3440
<b>Fry Top</b>	PDW90FE3	5100	PDW90FVG	3440
<b>5 Zone Induction</b>	PDW190E3	14900		
<b>2 Zone Induction</b>	PDW90IE3	8800		

	Width mm	Height mm	Depth mm	Oven Litres
<b>Cooker Dimensions</b>	900	850 - 910	600	
<b>Left Oven Internal Dimensions</b>	440	350	450	53.4
<b>Right Oven Internal Dimensions</b>	260	350	450	30.8



# Roma 90cm Single

PW90



## Colours

Stainless Steel

Gloss Black

Matt Black

White

Cream

## Trim

Stainless Steel



Colour matching

E3

E3 temperature control

A

Energy rating

## Features

- E3 digital oven temperature controls
- Temperature range from 30°C to 300°C
- Multifunction oven with 9 cooking settings
- Programmable timer
- Fascia cooling fan keeps controls cool
- Quick start rapid heat up
- One-handed ignition control
- Flame failure devices
- Individual cast iron pan supports
- Unique high efficiency solid brass burners
- Catalytic "stay-clean" liners to roof, rear and sides of the oven
- Pull down oven door with removable glass for easy cleaning
- Full width storage drawer
- Triple-glazed, cool to touch door
- Height adjustable stainless steel feet
- Child safety lock
- Full width rotisserie
- 2 wire shelves, grill pan and trivet

## Special Features

- Full width rotisserie fitting

## Accessories

- Stainless steel back panel
- Plinth kit
- Cast-iron griddles

## Hoods

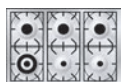


**Modern**  
AGQ90



**Classic**  
AGK90

## Hob configurations



6 Burner



5 Burner



Fry Top



5 Zone Induction



2 Zone Induction

PW90	E3 CODE	Max Load W	Gas CODE	Max Load W
6 Burner	PW906E3	3400	PW906VG	2300
5 Burner	PW90E3	3400	PW90VG	2300
Fry Top	PW90FE3	3400	PW90FVG	2300
5 Zone Induction	PWI90E3	13200		
2 Zone Induction	PW90IE3	7100		

	Width mm	Height mm	Depth mm	Oven Litres
<b>Cooker Dimensions</b>	900	850 - 910	600	
<b>Main Oven Internal Dimensions</b>	640	350	450	89

# Roma 80cm Single



PW80



## Colours

- Stainless Steel
- Gloss Black
- Matt Black
- White
- Cream

## Trim

- Stainless Steel



Colour matching



E3 temperature control



Energy rating

## Features

- E3 digital oven temperature controls
- Temperature range from 30°C to 300°C
- Multifunction oven with 9 cooking settings
- Programmable timer
- Fascia cooling fan keeps controls cool
- Quick start rapid heat up
- One-handed ignition control
- Flame failure devices
- Individual cast iron pan supports
- Unique high efficiency solid brass burners
- Catalytic “stay-clean” liners to roof, rear and sides of the oven
- Pull down oven door with removable glass for easy cleaning
- Full width storage drawer
- Triple-glazed, cool to touch door
- Height adjustable stainless steel feet
- Child safety lock
- Full width rotisserie
- 2 wire shelves , grill pan and trivet

## Special Features

- Full width rotisserie fitting

## Accessories

- Stainless steel back panel
- Plinth kit
- Cast-iron griddles

## Hoods



**Modern**  
AGQ80

## Hob configurations



5 Burner

PW80	E3 CODE	Max Load W	Gas CODE	Max Load W
5 Burner	PW80E3	3400	PW80VG	2300

	Width mm	Height mm	Depth mm	Oven Litres
<b>Cooker Dimensions</b>	800	850 - 910	600	
<b>Main Oven Internal Dimensions</b>	640	350	450	89



# Roma 70cm Twin

PDW70



## Colours

Stainless Steel

Gloss Black

## Trim

Stainless Steel



Colour matching



E3 temperature control



Energy rating

## Features

- E3 digital oven temperature control
- Temperature range from 30°C to 300°C
- Multifunction main oven with 9 cooking settings
- Separate grill compartment with grill pan and telescopic runners
- Programmable timer
- Fascia cooling fan keeps controls cool
- Quick start rapid heat up
- One-handed ignition control
- Flame failure devices
- Individual cast iron pan supports
- Unique high efficiency solid brass burners
- Catalytic "stay-clean" liners to roof, rear and sides of the oven
- Pull down oven doors with removable glass for easy cleaning
- Triple-glazed, cool to touch doors
- Child safety lock
- 2 wire shelves, grill pan and trivet in the main oven

## Special Features

- Separate grill with window
- Plinth Kit Included

## Accessories

- Stainless steel back panel
- Cast-iron griddles

## Hoods



**Modern**  
AGQ70

## Hob configurations



4 Burner

PDW70	E3 CODE	Max Load W
4 Burner	PDW70E3	5900

	Width mm	Height mm	Depth mm	Oven Litres
<b>Cooker Dimensions</b>	700	910	600	
<b>Main Oven Internal Dimensions</b>	440	350	450	53.4
<b>Extra Grill Internal Dimensions</b>	440	150	450	20.2

# Roma 70cm Single



PW70



## Colours

- Stainless Steel
- Gloss Black
- Matt Black
- White
- Cream

## Trim

- Stainless Steel



Colour matching



E3 temperature control



Energy rating

## Features

- E3 digital oven temperature controls
- Temperature range from 30°C to 300°C
- Multifunction oven with 9 cooking settings
- Programmable timer
- Fascia cooling fan keeps controls cool
- Quick start rapid heat up
- One-handed ignition control
- Flame failure devices
- Individual cast iron pan supports
- Unique high efficiency solid brass burners
- Catalytic “stay-clean” liners to roof, rear and sides of the oven
- Pull down oven door with removable glass for easy cleaning
- Full width storage drawer
- Triple-glazed, cool to touch door
- Height adjustable stainless steel feet
- Child safety lock
- 2 wire shelves, grill pan and trivet

## Accessories

- Stainless steel back panel
- Plinth kit
- Cast-iron griddles

## Hoods



Modern  
AGQ70

## Hob configurations



4 Burner

PW70	E3 CODE	Max Load W	Gas CODE	Max Load W
4 Burner	PW70E3	3400	PN60VG	1740

	Width mm	Height mm	Depth mm	Oven Litres
Cooker Dimensions	700	850 - 910	600	
Main Oven Internal Dimensions	440	350	450	53.4



# Roma 60cm Single

PW60



## Colours

Stainless Steel

Gloss Black

Matt Black

White

Cream

## Trim

Stainless Steel



Colour matching



E3 temperature control



Energy rating

## Features

- E3 digital oven temperature controls
- Temperature range from 30°C to 300°C
- Multifunction oven with 9 cooking settings
- Programmable timer
- Fascia cooling fan keeps controls cool
- Quick start rapid heat up
- One-handed ignition control
- Flame failure devices
- Individual cast iron pan supports
- Unique high efficiency solid brass burners
- Catalytic “stay-clean” liners to roof, rear and sides of the oven
- Pull down oven door with removable glass for easy cleaning
- Full width storage drawer
- Triple-glazed, cool to touch door
- Height adjustable stainless steel feet
- Child safety lock
- 2 wire shelves, grill pan and trivet

## Accessories

- Stainless steel back panel
- Plinth kit
- Cast-iron griddles

## Hoods



**Modern**  
AGQ60

## Hob configurations



4 Burner



4 Induction Zones

PW60	E3 CODE	Max Load W	Gas CODE	Max Load W
4 Burner	PW60E3	3400	PW60VG	1740
4 Induction Zones	PWI60E3	10800		

	Width mm	Height mm	Depth mm	Oven Litres
<b>Cooker Dimensions</b>	600	850 - 910	600	
<b>Main Oven Internal Dimensions</b>	440	350	450	53.4



# Milano Collection

The ILVE Milano series of range cookers takes its design inspiration from Italy's rich cultural history and style.

Milano range cookers are available in stainless steel, gloss black, matt black, white and cream as well as blue, burgundy and green. Milano cookers have traditionally styled, embellished handles and control knobs as well as a curved window design.

All Milano range cookers have either chrome or brass trim with an **antique bronze** trim available as an additional extra.

Milano range cookers have a choice of up to 5 different hob configurations, dependent on width, and are available in sizes ranging from the petite 60cm to the extra-large 150cm range cooker. You can choose to have either an electric or gas oven in a selection of oven arrangements. The Milano collection is the perfect addition to a traditional style kitchen looking for a modern, energy-efficient range cooker bursting with innovative features.





# Milano 150cm

PN150



## Colours

Stainless Steel

Gloss Black

Matt Black

White

Cream

Burgundy

Blue

Green

## Trim

Chrome

Brass

Antique Bronze



Colour matching

E3

E3 temperature



Energy rating

## Features

- E3 digital temperature controls in both ovens
- Temperature range from 30°C to 300°C
- Programmable timers in both ovens
- Fascia cooling fan keeps controls cool
- Quick start rapid heat up
- One-handed ignition control
- Flame failure devices
- Individual cast iron pan supports
- Unique high efficiency solid brass burners
- Catalytic "stay-clean" Liners to roof, rear and sides of both ovens
- Pull down oven doors with removable glass for easy cleaning
- Full width storage drawer
- Triple-glazed, cool to touch doors
- Height adjustable stainless steel feet
- Child safety lock
- Full width rotisserie in left hand oven
- 2 wire shelves, grill pan and trivet in both ovens

## Special Features

- Rotisserie fitting in the left-hand oven
- 2 wire shelves and grill pans in both ovens

## Accessories

- Stainless steel back panel
- Plinth Kit
- Cast-Iron Griddles

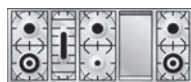
## Hoods



### Traditional

AG150  
Available in matching colours

## Hob configurations



Fry Top

Fry Top +  
Coup de Feu

Coup de Feu

PN150	E3 CODE	Max Load W	Gas CODE	Max Load W
Fry Top	PN150FE3	6800	PN150FVG	5700
Fry Top + Coup de Feu	PN150FSE3	6800	PN150FSVG	5700
Coup de Feu	PN150SE3	6800	PN150SVG	5700

	Width mm	Height mm	Depth mm	Oven Litres
<b>Cooker Dimensions</b>	1500	850 - 910	600	
<b>Left Oven Internal Dimensions</b>	640	350	450	78.6
<b>Right Oven Internal Dimensions</b>	440	350	450	53.4

# Milano 120cm 60/60



PDN120



## Colours

- Stainless Steel
- Gloss Black
- Matt Black
- White
- Cream
- Burgundy
- Blue
- Green

## Trim

- Chrome
- Brass
- Antique Bronze



Colour matching



E3 temperature



Energy rating

## Features

- E3 digital temperature controls in both ovens
- Temperature range from 30°C to 300°C
- 2 multifunction ovens with 9 cooking settings
- Programmable timers in both ovens
- Fascia cooling fan keeps controls cool
- Quick start rapid heat up
- One-handed ignition control
- Flame failure devices
- Individual cast iron pan supports
- Unique high efficiency solid brass burners
- Catalytic “stay-clean” liners to roof, rear and sides of both ovens
- Pull down oven doors with removable glass for easy cleaning
- Full width storage drawer
- Triple-glazed, cool to touch doors
- Height adjustable stainless steel feet
- Child safety lock
- 2 wire shelves, grill pans and trivets in both ovens

## Special Features

- 2 wire shelves and grill pans in both ovens

## Accessories

- Stainless steel back panel
- Plinth kit
- Cast-iron griddles

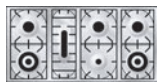
## Hoods



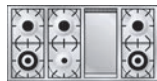
### Traditional

AG120  
Available in matching colours

## Hob configurations



7 Burner



Fry Top



Coup de Feu

PDN120	E3 CODE	Max Load W	Gas CODE	Max Load W
7 Burner	PDN1207E3	6550	PDN1207VG	5140
Fry Top	PDN120FE3	6550	PDN120FVG	5140
Coup de Feu	PDN120SE3	6550	PDN120SVG	5140

	Width mm	Height mm	Depth mm	Oven Litres
Cooker Dimensions	1200	850 - 910	600	
Left Oven Internal Dimensions	440	350	450	53.4
Right Oven Internal Dimensions	440	350	450	53.4



# Milano 120cm 80/40

PSN120



## Colours

Stainless Steel

Gloss Black

Matt Black

White

Cream

Burgundy

Blue

Green

## Trim

Chrome

Brass

Antique Bronze



Colour matching

E3

E3 temperature

A

Energy rating

## Features

- E3 digital temperature controls in both ovens
- Temperature range from 30°C to 300°C
- Programmable timers in both ovens
- Left hand multifunction oven with 9 cooking settings
- Right hand conventional oven with 5 functions including rotisserie
- Fascia cooling fan keeps controls cool
- Quick start rapid heat up
- One-handed ignition control
- Flame failure devices
- Individual cast iron pan supports
- Unique high efficiency solid brass burners
- Catalytic "stay-clean" liners to roof, rear and sides of both ovens
- Pull down oven doors with removable glass for easy cleaning
- Full width storage drawer
- Triple-glazed, cool to touch doors
- Height adjustable stainless steel feet
- Child safety lock
- Rotisserie fittings in both ovens
- 2 wire shelves, grill pan and trivet in the left oven
- 1 wire shelf, grill pan and trivet in the right oven

## Special Features

- Both ovens have a rotisserie fitting

## Accessories

- Stainless steel back panel
- Plinth kit
- Cast-iron griddles

## Hoods



### Traditional

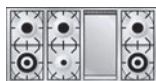
AG120

Available in matching colours

## Hob configurations



7 Burner



Fry Top



Coup de Feu

PSN120	E3 CODE	Max Load W	Gas CODE	Max Load W
7 Burner	PSN1207E3	5300	PSN1207VG	4200
Fry Top	PSN120FE3	5300	PSN120FVG	4200
Coup de Feu	PSN120SE3	5300	PSN120SVG	4200

	Width mm	Height mm	Depth mm	Oven Litres
<b>Cooker Dimensions</b>	1200	850 - 910	600	
<b>Left Oven Internal Dimensions</b>	540	350	450	67.3
<b>Right Oven Internal Dimensions</b>	360	350	450	43.7

# Milano 120cm 90/30



PN120



## Colours

- Stainless Steel
- Gloss Black
- Matt Black
- White
- Cream
- Burgundy
- Blue
- Green

## Trim

- Chrome
- Brass
- Antique Bronze



Colour matching



E3 temperature



Energy rating

## Features

- E3 digital temperature controls in both ovens
- Temperature range from 30°C to 300°C
- Programmable timers in both ovens
- Left hand multifunction oven with 9 cooking settings
- Right hand conventional oven with 5 functions including rotisserie
- Fascia cooling fan keeps controls cool
- Quick start rapid heat up
- One-handed ignition control
- Flame failure devices
- Individual cast iron pan supports
- Unique high efficiency solid brass burners
- Catalytic “stay-clean” liners to roof, rear and sides of both ovens
- Pull down oven doors with removable glass for easy cleaning
- Full width storage drawer
- Triple-glazed, cool to touch doors
- Height adjustable stainless steel feet
- Child safety lock
- Rotisserie fittings in both ovens
- 2 wire shelves, grill pan and trivet in the left oven
- 1 wire shelf, grill pan and trivet in the right oven

## Special Features

- Both ovens have a rotisserie fitting

## Accessories

- Stainless steel back panel
- Plinth kit
- Cast-iron griddles

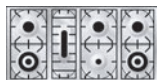
## Hoods



### Traditional

AG120  
Available in matching colours

## Hob configurations



7 Burner



Fry Top



Coup de Feu

PN120	E3 CODE	Max Load W	Gas CODE	Max Load W
7 Burner	PN1207E3	5100	PN1207VG	4000
Fry Top	PN120FE3	5100	PN120FVG	4000
Coup de Feu	PN120SE3	5100	PN120SVG	4000

	Width mm	Height mm	Depth mm	Oven Litres
Cooker Dimensions	1200	850 - 910	600	
Left Oven Internal Dimensions	640	350	450	78.6
Right Oven Internal Dimensions	260	350	450	30.8



# Milano 110cm XG

PTN110



## Colours

Stainless Steel

Matt Black

Cream

## Trim

Chrome

Brass

Antique Bronze



Colour matching



E3 temperature control



Energy rating

## Features

- E3 digital temperature controls in both ovens
- Temperature range from 30°C to 300°C
- Left hand multifunction oven with 9 cooking settings
- Right hand conventional oven with 5 functions including rotisserie
- Separate grill compartment with grill pan and sliding runners
- Programmable timers in both ovens
- Fascia cooling fan keeps controls cool
- Quick start rapid heat up
- One-handed ignition control
- Flame failure devices
- Individual cast iron pan supports
- Unique high efficiency solid brass burners
- Catalytic "stay-clean" liners to roof, rear and sides of both ovens
- Pull down oven doors with removable glass for easy cleaning
- Storage Drawer
- Triple-glazed, cool to touch doors
- Child safety lock
- Rotisserie in right hand oven
- 2 wire shelves, grill pan and trivet in the left oven
- 1 wire shelf, grill pan and trivet in the right oven
- Solid stainless steel Fry Top with alternative pan supports supplied
- Plinth kit included

## Special Features

- Separate Grill
- Plinth Kit Included

## Accessories

- Stainless steel back panel
- Cast-iron griddles

## Hoods



### Traditional

AG100  
Available in Stainless Steel

## Hob configurations



6 Burner Fry Top

PTN110	E3 CODE	Max Load W
6 Burner Fry Top	PTN110FE3	7800

	Width mm	Height mm	Depth mm	Oven Litres
<b>Cooker Dimensions</b>	1100	910	600	
<b>Left Oven Internal Dimensions</b>	440	350	450	53.4
<b>Right Oven Internal Dimensions</b>	360	350	450	43.7
<b>Extra Grill Internal Dimensions</b>	440	150	450	20.2

# Milano 100cm XG



PTN100



## Colours

- Stainless Steel
- Gloss Black
- Matt Black
- White
- Cream
- Burgundy
- Blue
- Green

## Trim

- Chrome
- Brass
- Antique Bronze



Colour matching



E3 temperature



Energy rating

## Features

- E3 digital temperature controls in both ovens
- Temperature range from 30°C to 300°C
- Left hand multifunction oven with 9 cooking settings
- Right hand conventional oven with 5 functions including rotisserie
- Separate grill compartment with grill pan and sliding runners
- Programmable timers in both ovens
- Fascia cooling fan keeps controls cool
- Quick start rapid heat up
- One-handed ignition control
- Flame failure devices
- Individual cast iron supports
- Unique high efficiency solid brass burners
- Catalytic “stay-clean” liners to roof, rear and sides of both ovens
- Pull down oven doors with removable glass for easy cleaning
- Storage drawer
- Triple-glazed, cool to touch doors
- Child safety lock
- Rotisserie in right hand oven
- 2 wire shelves, grill pan and trivet in the left oven
- 1 wire shelf, grill pan and trivet in the right oven
- Plinth kit included

## Special Features

- Separate grill
- Plinth Kit Included

## Accessories

- Stainless steel back panel
- Cast-iron griddles

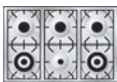
## Hoods



### Traditional

AG100  
Available in matching colours

## Hob configurations



6 Burner



Fry top



6 Zone Induction

PTN100	E3 CODE	Max Load W
6 Burner	PTN1006E3	7800
Fry Top	PTN100FE3	7800
6 Zone Induction	PTN100E3	19260

	Width mm	Height mm	Depth mm	Oven Litres
<b>Cooker Dimensions</b>	1000	910	600	
<b>Left Oven Internal Dimensions</b>	440	350	450	53.4
<b>Right Oven Internal Dimensions</b>	360	350	450	43.7
<b>Extra Grill Internal Dimensions</b>	440	150	450	20.2



# Milano 100cm Twin

PDN100



## Colours

Stainless Steel

Gloss Black

Matt Black

White

Cream

Burgundy

Blue

Green

## Trim

Chrome

Brass

Antique Bronze



Colour matching

E3

E3 temperature

A

Energy rating

## Features

- E3 digital temperature controls in both ovens
- Temperature range from 30°C to 300°C
- Left hand multifunction oven with 9 cooking settings
- Right hand conventional oven with 5 functions including rotisserie
- Programmable timers in both ovens
- Fascia cooling fan keeps controls cool
- Quick start rapid heat up
- One-handed ignition control
- Flame failure devices
- Individual cast iron supports
- Unique high efficiency solid brass burners
- Catalytic "stay-clean" liners to roof, rear and sides of both ovens
- Pull down oven doors with removable glass for easy cleaning
- Full width storage drawer
- Triple-glazed, cool to touch doors
- Height adjustable stainless steel feet
- Child safety lock
- Rotisserie in right hand oven
- 2 wire shelves, grill pan and trivet in the left oven
- 1 wire shelf, grill pan and trivet in the right oven

## Accessories

- Stainless steel back panel
- Plinth kit
- Cast-iron griddles

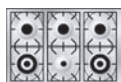
## Hoods



### Traditional

AG100  
Available in matching colours

## Hob configurations



6 Burner



Fry Top



6 Zone Induction



Coup de Feu



2 Zone Induction

PDN100	E3 CODE	Max Load W	Gas CODE	Max Load W
6 Burner	PDN1006E3	5300	PDN1006VG	3640
Fry Top	PDN100FE3	5300	PDN100FVG	3640
6 Zone Induction	PDN100E3	16400		
Coup de Feu	PDN100SE3	5300	PDN100SVG	3640
2 Zone Induction	PDN100IE3	9000		

	Width mm	Height mm	Depth mm	Oven Litres
<b>Cooker Dimensions</b>	1000	850 - 910	600	
<b>Left Oven Internal Dimensions</b>	440	350	450	53.4
<b>Right Oven Internal Dimensions</b>	360	350	450	43.7

# Milano 90cm Twin



PDN90



## Colours

- Stainless Steel
- Gloss Black
- Matt Black
- White
- Cream
- Burgundy
- Blue
- Green

## Trim

- Chrome
- Brass
- Antique Bronze



Colour matching



E3 temperature



Energy rating

## Features

- E3 digital temperature controls in both ovens
- Temperature range from 30°C to 300°C
- Left hand multifunction oven with 9 cooking settings
- Right hand conventional oven with 5 functions including rotisserie
- Programmable timers in both ovens
- Fascia cooling fan keeps controls cool
- Quick start rapid heat up
- One-handed ignition control
- Flame failure devices
- Individual cast iron pan supports
- Unique high efficiency solid brass burners
- Catalytic “stay-clean” liners to roof, rear and sides of both ovens
- Pull down oven doors with removable glass for easy cleaning
- Full width storage drawer
- Triple-glazed, cool to touch doors
- Height adjustable stainless steel feet
- Child safety lock
- Rotisserie in right hand oven
- 2 wire shelves, grill pan and trivet in the left oven
- 1 wire shelf, grill pan and trivet in the right oven

## Accessories

- Stainless steel back panel
- Plinth kit
- Cast-iron griddles

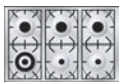
## Hoods



### Traditional

AG90  
Available in matching colours

## Hob configurations



6 Burner



5 Burner



Fry Top



5 Zone Induction



2 Zone Induction

PDN90	E3 CODE	Max Load W	Gas CODE	Max Load W
6 Burner	PDN906E3	5100	PDN906VG	3440
5 Burner	PDN90E3	5100	PDN90VG	3440
Fry Top	PDN90FE3	5100	PDN90FVG	3440
5 Zone Induction	PDN90IE3	14900		
2 Zone Induction	PDN90IE3	8800		

	Width mm	Height mm	Depth mm	Oven Litres
Cooker Dimensions	900	850 - 910	600	
Left Oven Internal Dimensions	440	350	450	53.4
Right Oven Internal Dimensions	260	350	450	30.8





# Milano 90cm Single

PN90



## Colours

Stainless Steel

Gloss Black

Matt Black

White

Cream

Burgundy

Blue

Green

## Trim

Chrome

Brass

Antique Bronze



Colour matching

E3

E3 temperature



Energy rating

## Features

- E3 digital oven temperature controls
- Temperature range from 30°C to 300°C
- Multifunction oven with 9 cooking settings
- Programmable timer
- Fascia cooling fan keeps controls cool
- Quick start rapid heat up
- One-handed ignition control
- Flame failure devices
- Individual cast iron pan supports
- Unique high efficiency solid brass burners
- Catalytic "stay-clean" liners to roof, rear and sides of the oven
- Pull down oven door with removable glass for easy cleaning
- Full width storage drawer
- Triple-glazed, cool to touch door
- Height adjustable stainless steel feet
- Child safety lock
- Full width rotisserie
- 2 wire shelves, grill pan and trivet

## Special Features

- Full width rotisserie fitting

## Accessories

- Stainless steel back panel
- Plinth kit
- Cast-iron griddles

## Hoods

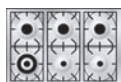


### Traditional

AG90

Available in matching colours

## Hob configurations



6 Burner



5 Burner



Fry Top



5 Zone Induction



2 Zone Induction

PN90	E3 CODE	Max Load W	Gas CODE	Max Load W
6 Burner	PN906E3	3400	PN906VG	2300
5 Burner	PN90E3	3400	PN90VG	2300
Fry Top	PN90FE3	3400	PN90FVG	2300
5 Zone Induction	PNi90E3	13200		
2 Zone Induction	PN90IE3	7100		

	Width mm	Height mm	Depth mm	Oven Litres
Cooker Dimensions	900	850 - 910	600	
Main Oven Internal Dimensions	640	350	450	89

# Milano 80cm Single



PN80



## Colours

- Stainless Steel
- Gloss Black
- Matt Black
- White
- Cream
- Burgundy
- Blue
- Green

## Trim

- Chrome
- Brass
- Antique Bronze



Colour matching



E3 temperature



Energy rating

## Features

- E3 digital oven temperature controls
- Temperature range from 30°C to 300°C
- Multifunction oven with 9 cooking settings
- Programmable timer
- Fascia cooling fan keeps controls cool
- Quick start rapid heat up
- One-handed ignition control
- Flame failure devices
- Individual cast iron pan supports
- Unique high efficiency solid brass burners
- Catalytic “stay-clean” liners to roof, rear and sides of the oven
- Pull down oven door with removable glass for easy cleaning
- Full width storage drawer
- Triple-glazed, cool to touch door
- Height adjustable stainless steel feet
- Child safety lock
- Full width rotisserie
- 2 wire shelves, grill pan and trivet

## Special Features

- Full width rotisserie fitting

## Accessories

- Stainless steel back panel
- Plinth kit
- Cast-iron griddles

## Hoods



### Traditional

AG80  
Stainless Steel

## Hob configurations



5 Burner

PN80	E3 CODE	Max Load W	Gas CODE	Max Load W
5 Burner	PN80E3	3400	PN80VG	2300

	Width mm	Height mm	Depth mm	Oven Litres
<b>Cooker Dimensions</b>	800	850 - 910	600	
<b>Main Oven Internal Dimensions</b>	640	350	450	89



# Milano 70cm Twin

PDN70



## Colours

Stainless Steel

Matt Black

Cream

Burgundy

Blue

Green

## Trim

Chrome

Brass

Antique Bronze



Colour matching



E3 temperature control



Energy rating

## Features

- E3 digital oven temperature control
- Temperature range from 30°C to 300°C
- Multifunction main oven with 9 cooking settings
- Separate grill compartment with grill pan and sliding runners
- Programmable timer
- Fascia cooling fan keeps controls cool
- Quick start rapid heat up
- One-handed ignition control
- Flame failure devices
- Individual cast iron pan supports
- Unique high efficiency solid brass burners
- Catalytic “stay-clean” liners to roof, rear and sides of the oven
- Pull down oven doors with removable glass for easy cleaning
- Triple-glazed, cool to touch doors
- Child safety lock
- 2 wire shelves, grill pan and trivet in the main oven

## Special Features

- Separate grill with window
- Plinth Kit Included

## Accessories

- Stainless steel back panel
- Cast-iron griddles

## Hoods



### Traditional

AG70

Available in matching colours

## Hob configurations



4 Burner

PDN70	E3 CODE	Max Load W	Gas CODE	Max Load W
4 Burner	PDN70E3	5900		

	Width mm	Height mm	Depth mm	Oven Litres
<b>Cooker Dimensions</b>	700	910	600	
<b>Main Oven Internal Dimensions</b>	440	350	450	53.4
<b>Extra Grill Internal Dimensions</b>	440	150	450	20.2

# Milano 70cm Single



PN70



## Colours

- Stainless Steel
- Gloss Black
- Matt Black
- White
- Cream
- Burgundy
- Blue
- Green

## Trim

- Chrome
- Brass
- Antique Bronze



Colour matching



E3 temperature



Energy rating

## Features

- E3 digital oven temperature controls
- Temperature range from 30°C to 300°C
- Multifunction oven with 9 cooking settings
- Programmable timer
- Fascia cooling fan keeps controls cool
- Quick start rapid heat up
- One-handed ignition control
- Flame failure devices
- Individual cast iron pan supports
- Unique high efficiency solid brass burners
- Catalytic “stay-clean” liners to roof, rear and sides of the oven
- Pull down oven door with removable glass for easy cleaning
- Full width storage drawer
- Triple-glazed, cool to touch door
- Height adjustable stainless steel feet
- Child safety lock
- 2 wire shelves, grill pan and trivet

## Accessories

- Stainless steel back panel
- Plinth kit
- Cast-iron griddles

## Hoods



### Traditional

AG70  
Available in matching colours

## Hob configurations



4 Burner

PN70	E3 CODE	Max Load W	Gas CODE	Max Load W
4 Burner	PN70E3	3400	PN70VG	1740

	Width mm	Height mm	Depth mm	Oven Litres
Cooker Dimensions	700	850 - 910	600	
Main Oven Internal Dimensions	440	350	450	53.4

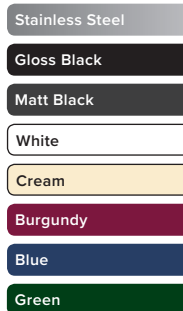


# Milano 60cm Single

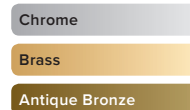
PN60



## Colours



## Trim



Colour  
matching

**E3**

E3 temperature



Energy rating

## Features

- E3 digital oven temperature controls
- Temperature range from 30°C to 300°C
- Multifunction oven with 9 cooking settings
- Programmable timer
- Fascia cooling fan keeps controls cool
- Quick start rapid heat up
- One-handed ignition control
- Flame failure devices
- Individual cast iron pan supports
- Unique high efficiency solid brass burners
- Catalytic “stay-clean” liners to roof, rear and sides of the oven
- Pull down oven door with removable glass for easy cleaning
- Full width storage drawer
- Triple-glazed, cool to touch door
- Height adjustable stainless steel feet
- Child safety lock
- 2 wire shelves, grill pan and trivet

## Accessories

- Stainless steel back panel
- Plinth kit
- Cast-iron griddles

## Hoods



### Traditional

AG60  
Available in matching  
colours

## Hob configurations



4 Burner



4 Induction Zones

PN60	E3 CODE	Max Load W	Gas CODE	Max Load W
4 Burner	PN60E3	3400	PN60VG	1740
4 Induction Zones	PN160E3	10800		

	Width mm	Height mm	Depth mm	Oven Litres
<b>Cooker Dimensions</b>	600	850 - 910	600	
<b>Main Oven Internal Dimensions</b>	440	350	450	53.4



# Majestic Roma Collection

The Majestic collection combines the very best in Italian flair with the style of an impressive American range cooker. The Majestic is a deeper cooker and comes in a wide range of American sizes for customers wanting a real statement appliance in their kitchen.

The Majestic Roma oozes sophistication with modern styling and would provide a stunning centrepiece to any contemporary kitchen. The Majestic Roma range cookers feature modern stainless steel handles and control knobs as well as a contoured fascia design. Majestic Roma range cookers are fitted with stainless steel height adjustable feet as standard.

Majestic Roma range cookers are available in a wide choice of colours including stainless steel,

matt black, cream, white, burgundy, green and blue and are available with up to 5 hob configurations to choose from. The Majestic Roma comes in varying sizes starting at the compact 70cm wide (28") range cooker increasing up to the mighty 150cm (60") wide Majestic Roma.

The Majestic Roma range cookers all feature the next level in ILVE range cooker technology including oven temperature probes, soft-close storage drawers and dual control wok burners. Majestic Roma cookers can be built with either E3 digital precision temperature control in electric ovens or a fanned gas oven option, providing complete versatility based on the way that you cook.



# Majestic Roma 150cm

MT150



## Colours

Stainless Steel

Matt Black

White

Cream

Burgundy

Blue

Green

## Trim

Stainless Steel



Colour matching

E3

E3 temperature



Energy rating

## Features

- E3 digital temperature controls in both ovens
- Temperature range from 30°C to 300°C
- Oven temperature probe (E3 only)
- 2 multifunction ovens with 9 cooking settings
- Dual ring wok burner with individual ring control
- Programmable timers in both ovens
- Fascia cooling fan keeps controls cool
- Quick start rapid heat up
- One-handed ignition control
- Flame failure devices
- Individual cast iron pan supports
- Unique high efficiency solid brass burners
- Catalytic "stay-clean" liners to roof, rear and sides of both ovens
- Rounded hob top corners
- Pull down oven doors with removable glass for easy cleaning
- Full width storage drawer with soft close
- Triple-glazed, cool to touch doors
- Height adjustable stainless steel feet
- Child safety lock
- Rotisserie fitting in left hand oven
- 2 wire shelves, a grill pan and a trivet in both ovens

## Accessories

- Stainless steel back panel and warming shelf
- Stainless steel plinth kit
- Cast-iron griddles

## Hoods



**Majestic**  
AM150

## Hob configurations



Fry Top

Fry Top +  
Coup de Feu

Coup de Feu

MT150	E3 CODE	Max Load W	Gas CODE	Max Load W
Fry Top	MT150FDE3	6800	MT150FDVG	5450
Fry Top + Coup de Feu	MT150FSDE3	6800	MT150FSDVG	5450
Coup de Feu	MT150SDE3	6800	MT150SDVG	5450

	Width mm	Height mm	Depth mm	Oven Litres
<b>Cooker Dimensions</b>	1511	870 - 930	700	
<b>Left Oven Internal Dimensions</b>	640	350	450	78.6
<b>Right Oven Internal Dimensions</b>	440	350	450	53.4

# Majestic Roma 120cm 80/40



MTS120



## Colours

- Stainless Steel
- Matt Black**
- White
- Cream
- Burgundy
- Blue
- Green

## Trim

- Stainless Steel



Colour matching



E3 temperature



Energy rating

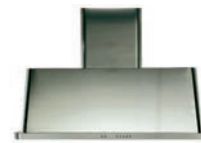
## Features

- E3 digital temperature controls in both ovens
- Temperature range from 30°C to 300°C
- Oven temperature probe (E3 only)
- Left hand multifunction oven with 9 cooking settings
- Right hand conventional oven with 5 functions including rotisserie
- Dual ring wok burner with individual ring control
- Programmable timers in both ovens
- Fascia cooling fan keeps controls cool
- Quick start rapid heat up
- One-handed ignition control
- Flame failure devices
- Individual cast iron pan supports
- Unique high efficiency solid brass burners
- Catalytic "stay-clean" liners to roof, rear and sides of both ovens
- Rounded hob top corners
- Pull down oven doors with removable glass for easy cleaning
- Full width storage drawer with soft close
- Triple-glazed, cool to touch doors
- Height adjustable stainless steel feet
- Child safety lock
- Rotisserie in both ovens
- 2 wire shelves, grill pan and trivet in the left oven
- 1 wire shelf, grill pan and trivet in the right oven

## Accessories

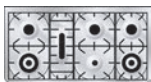
- Stainless steel back panel and warming shelf
- Stainless steel plinth kit
- Cast-iron griddles

## Hoods



**Majestic**  
AM120

## Hob configurations



**7 Burner**



**Fry Top**



**Coup de Feu**

MTS120	E3 CODE	Max Load W	Gas CODE	Max Load W
<b>7 Burner</b>	MTS1207DE3	5300	MTS1207DVG	4200
<b>Fry Top</b>	MTS120FDE3	5300	MTS120FDVG	4200
<b>Coup de Feu</b>	MTS120SDE3	5300	MTS120SDVG	4200

	Width mm	Height mm	Depth mm	Oven Litres
<b>Cooker Dimensions</b>	1216	870 - 930	700	
<b>Left Oven Internal Dimensions</b>	540	350	450	67.3
<b>Right Oven Internal Dimensions</b>	360	350	450	43.7





# Majestic Roma 120cm 90/30

MT120



## Colours

Stainless Steel

Matt Black

White

Cream

Burgundy

Blue

Green

## Trim

Stainless Steel



Colour matching

E3

E3 temperature



Energy rating

## Features

- E3 digital temperature controls in both ovens
- Temperature range from 30°C to 300°C
- Oven temperature probe (E3 only)
- Left hand multifunction oven with 9 cooking settings
- Right hand conventional oven with 5 functions including rotisserie
- Dual ring wok burner with individual ring control
- Programmable timers in both ovens
- Fascia cooling fan keeps controls cool
- Quick start rapid heat up
- One-handed ignition control
- Flame failure devices
- Individual cast iron pan supports
- Unique high efficiency solid brass burners
- Catalytic "stay-clean" liners to roof, rear and sides of both ovens
- Rounded hob top corners
- Pull down oven doors with removable glass for easy cleaning
- Full width storage drawer with soft close
- Triple-glazed, cool to touch doors
- Height adjustable stainless steel feet
- Child safety lock
- Rotisserie in both ovens
- 2 wire shelves, grill pan and trivet in the left oven
- 1 wire shelf, grill pan and trivet in the right oven

## Accessories

- Stainless steel back panel and warming shelf
- Stainless steel plinth kit
- Cast-iron griddles

## Hoods



**Majestic**  
AM120

## Hob configurations



7 Burner



Fry Top



Coup de Feu

MT120	E3 CODE	Max Load W	Gas CODE	Max Load W
7 Burner	MT1207DE3	5100	MT1207DVG	4000
Fry Top	MT120FDE3	5100	MT120FDVG	4000
Coup de Feu	MT120SDE3	5100	MT120SDVG	4000

	Width mm	Height mm	Depth mm	Oven Litres
<b>Cooker Dimensions</b>	1216	870 - 930	700	
<b>Left Oven Internal Dimensions</b>	640	350	450	78.6
<b>Right Oven Internal Dimensions</b>	260	350	450	30.8

# Majestic Roma 100cm Twin



MTD100



## Colours

- Stainless Steel
- Matt Black**
- White
- Cream
- Burgundy
- Blue
- Green

## Trim

- Stainless Steel



Colour matching



E3 temperature



Energy rating

## Features

- E3 digital temperature controls in both ovens
- Temperature range from 30°C to 300°C
- Oven temperature probe (E3 only)
- Left hand multifunction oven with 9 cooking settings
- Right hand conventional oven with 5 functions including rotisserie
- Dual ring wok burner with individual ring control
- Programmable timers in both ovens
- Fascia cooling fan keeps controls cool
- Quick start rapid heat up
- One-handed ignition control
- Flame failure devices
- Individual cast iron pan supports
- Unique high efficiency solid brass burners
- Catalytic “stay-clean” liners to roof, rear and sides of both ovens
- Rounded hob top corners
- Pull down oven doors with removable glass for easy cleaning
- Full width storage drawer with soft close
- Triple-glazed, cool to touch doors
- Height adjustable stainless steel feet
- Child safety lock
- Rotisserie in right hand oven
- 2 wire shelves, grill pan and trivet in the left oven
- 1 wire shelf, grill pan and trivet in the right oven

## Accessories

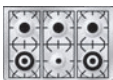
- Stainless steel back panel and warming shelf
- Stainless steel plinth kit
- Cast-iron griddles

## Hoods



**Majestic**  
AM100

## Hob configurations



**6 Burner**



**Fry Top**



**6 Zone Induction**



**Coup de Feu**



**2 Zone Induction**

MTD100	E3 CODE	Max Load W	Gas CODE	Max Load W
<b>6 Burner</b>	MTD1006DE3	5100	MTD1006DVG	3440
<b>Fry Top</b>	MTD100FDE3	5100	MTD100FDVG	3440
<b>6 Zone Induction</b>	MTDI100DE3	14900		
<b>Coup de Feu</b>	MTD100SDE3	5100	MTD100SDVG	3440
<b>2 Zone Induction</b>	MTD100IDE3	8800		

	Width mm	Height mm	Depth mm	Oven Litres
<b>Cooker Dimensions</b>	1000	870 - 930	700	
<b>Left Oven Internal Dimensions</b>	440	350	450	53.4
<b>Right Oven Internal Dimensions</b>	260	350	450	30.8



# Majestic Roma 90cm Single

MT90



## Colours

Stainless Steel

Matt Black

White

Cream

Burgundy

Blue

Green

## Trim

Stainless Steel



Colour matching

E3

E3 temperature



Energy rating

## Features

- E3 digital temperature control
- Temperature range from 30°C to 300°C
- Oven temperature probe (E3 only)
- Multifunction oven with 9 cooking settings
- Dual ring wok burner with individual ring control
- Programmable timers in both ovens
- Fascia cooling fan keeps controls cool
- Quick start rapid heat up
- One-handed ignition control
- Flame failure devices
- Individual cast iron pan supports
- Unique high efficiency solid brass burners
- Catalytic "stay-clean" liners to roof, rear and sides of oven
- Rounded hob top corners
- Pull down oven door with removable glass for easy cleaning
- Full width storage drawer with soft close
- Triple-glazed, cool to touch door
- Height adjustable stainless steel feet
- Child safety lock
- Full width rotisserie
- 2 wire shelves, grill pan and trivet in the oven

## Accessories

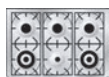
- Stainless steel back panel and warming shelf
- Stainless steel plinth kit
- Cast-iron griddles

## Hoods



**Majestic**  
AM90

## Hob configurations



6 Burner



5 Burner



Fry Top



5 Zone Induction



2 Zone Induction

MT90	E3 CODE	Max Load W	Gas CODE	Max Load W
6 Burner	MT906DE3	3400	MT906DVG	2300
5 Burner	MT90DE3	3400	MT90DVG	2300
Fry Top	MT90FDE3	3400	MT90FDVG	2300
5 Zone Induction	MTI90DE3	13450		
2 Zone Induction	MT90IDE3	7350		

	Width mm	Height mm	Depth mm	Oven Litres
<b>Cooker Dimensions</b>	911	870 - 930	700	
<b>Main Oven Internal Dimensions</b>	640	350	450	78.6

# Majestic Roma 76cm Single



MT76



## Colours

- Stainless Steel
- Matt Black**
- White
- Cream
- Burgundy
- Blue
- Green

## Trim

- Stainless Steel



Colour matching

**E3**

E3 temperature



Energy rating

## Features

- E3 digital temperature control
- Temperature range from 30°C to 300°C
- Oven temperature probe (E3 only)
- Multifunction oven with 9 cooking settings
- Dual ring wok burner with individual ring control
- Programmable timers in both ovens
- Fascia cooling fan keeps controls cool
- Quick start rapid heat up
- One-handed ignition control
- Flame failure devices
- Individual cast iron pan supports
- Unique high efficiency solid brass burners
- Catalytic "stay-clean" liners to roof, rear and sides of oven
- Rounded hob top corners
- Pull down oven door with removable glass for easy cleaning
- Full width storage drawer with soft close
- Triple-glazed, cool to touch door
- Height adjustable stainless steel feet
- Child safety lock
- Full width rotisserie
- 2 wire shelves, grill pan and trivet in the oven

## Accessories

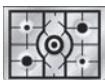
- Stainless steel back panel and warming shelf
- Stainless steel plinth kit

## Hoods



**Majestic**  
AM76

## Hob configurations



5 Burner

MT76	E3 CODE	Max Load W	Gas CODE	Max Load W
5 Burner	MT76DE3	3400	MT76DVG	2300

	Width mm	Height mm	Depth mm	Oven Litres
<b>Cooker Dimensions</b>	760	870 - 930	700	
<b>Main Oven Internal Dimensions</b>	540	350	450	67.3



# Majestic Roma 70cm Single

M70



## Colours

Stainless Steel

Matt Black

White

Cream

Burgundy

Blue

Green

## Trim

Stainless Steel



Colour matching



E3 temperature



Energy rating

## Features

- E3 digital temperature controls
- Temperature range from 30°C to 300°C
- Oven temperature probe (E3 only)
- Multifunction oven with 9 cooking settings
- Dual ring wok burner with individual ring control
- Programmable timers in both ovens
- Fascia cooling fan keeps controls cool
- Quick start rapid heat up
- One-handed ignition control
- Flame failure devices
- Individual cast iron pan supports
- Unique high efficiency solid brass burners
- Catalytic "stay-clean" liners to roof, rear and sides of oven
- Rounded hob top corners
- Pull down oven door with removable glass for easy cleaning
- Full width storage drawer with soft close
- Triple-glazed, cool to touch door
- Height adjustable stainless steel feet
- Child safety lock
- 2 wire shelves, grill pan and trivet in the oven

## Accessories

- Stainless steel back panel and warming shelf
- Stainless steel plinth kit
- Cast-iron griddles

## Hoods



**Majestic**  
AM70

## Hob configurations



**4 Burner**

M70	E3 CODE	Max Load W	Gas CODE	Max Load W
4 Burner	MT70DE3	3400	MT70DVG	1740

	Width mm	Height mm	Depth mm	Oven Litres
<b>Cooker Dimensions</b>	700	870 - 930	700	
<b>Main Oven Internal Dimensions</b>	440	350	450	53.4



# Majestic Milano Collection

The Majestic range combines the very best in Italian flair with the style of an impressive American range cooker. The Majestic is a deeper cooker and comes in a wide range of American sizes for customers wanting a real statement appliance in their kitchen.

The Majestic Milano has all the style of the traditional Milano range cooker but with extra options and extravagant finishes. Majestic Milanos have embellished chrome or brass handles, control knobs and outer door trim and feature traditional style feet, giving the range cooker an sophisticated yet classic feel.

Available with brass or chrome trim as standard with the option to upgrade to antique bronze as an additional extra, the Majestic Milano also has a wide choice of colour options including matt black, stainless steel, white, cream, blue, burgundy and

green. Elegant, ornate feet and matching handrails are also available as accessories in matching finishes, enabling the Majestic Milano to truly shine with Italian style.

The Majestic Milano collection has 5 widths to choose from ranging from the impressive 150cm (60") cooker to the slim 70cm (28") range cooker and has up to 5 possible hob configurations.

Majestic Milano range cookers all feature ILVE's most advanced cooking technology including dual control wok burners, oven temperature probes and soft-close storage drawers. Majestic Milano range cookers are available with either electric ovens with E3 precision temperature control or fanned gas ovens, offering complete versatility based on individual cooking preferences.



# Majestic Milano 150cm

M150



## Colours

Stainless Steel

Matt Black

White

Cream

Burgundy

Blue

Green

## Trim

Chrome

Brass

Antique Bronze



Colour matching

E3

E3 temperature



Energy rating

## Features

- E3 digital temperature controls in both ovens
- Temperature range from 30°C to 300°C
- Oven temperature probe (E3 only)
- 2 multifunction ovens with 9 cooking settings
- Dual ring wok burner with individual ring control
- Programmable timers in both ovens
- Fascia cooling fan keeps controls cool
- Quick start rapid heat up
- One-handed ignition control
- Flame failure devices
- Individual cast iron pan supports
- Unique high efficiency solid brass burners
- Catalytic "stay-clean" liners to roof, rear and sides of both ovens
- Rounded hob top corners
- Pull down oven doors with removable glass for easy cleaning
- Full width storage drawer with soft close
- Triple-glazed, cool to touch doors
- Solid metal feet
- Child safety lock
- Rotisserie fitting in left hand oven
- 2 wire shelves, a grill pan and a trivet in both ovens

## Accessories

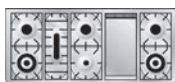
- Stainless steel back panel and warming shelf
- Cast-iron griddles

## Hoods

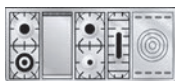


**Majestic**  
AM150

## Hob configurations



Fry Top

Fry Top +  
Coup de Feu

Coup de Feu

M150	E3 CODE	Max Load W	Gas CODE	Max Load W
Fry Top	M150FDE3	6800	M150FDVG	5450
Fry Top + Coup de Feu	M150FSDE3	6800	M150FSDVG	5450
Coup de Feu	M150SDE3	6800	M150SDVG	5450

	Width mm	Height mm	Depth mm	Oven Litres
<b>Cooker Dimensions</b>	1511	920	700	
<b>Left Oven Internal Dimensions</b>	640	350	450	78.6
<b>Right Oven Internal Dimensions</b>	440	350	450	53.4

# Majestic Milano 120cm 80/40



MS120



## Colours

- Stainless Steel
- Matt Black
- White
- Cream
- Burgundy
- Blue
- Green

## Trim

- Chrome
- Brass
- Antique Bronze



Colour matching



E3 temperature



Energy rating

## Features

- E3 digital temperature controls in both ovens
- Temperature range from 30°C to 300°C
- Oven temperature probe (E3 only)
- Left hand multifunction oven with 9 cooking settings
- Right hand conventional oven with 5 functions including rotisserie
- Dual ring wok burner with individual ring control
- Programmable timers in both ovens
- Fascia cooling fan keeps controls cool
- Quick start rapid heat up
- One-handed ignition control
- Flame failure devices
- Individual cast iron pan supports
- Unique high efficiency solid brass burners
- Catalytic "stay-clean" liners to roof, rear and sides of both ovens
- Rounded hob top corners
- Pull down oven doors with removable glass for easy cleaning
- Full width storage drawer with soft close
- Triple-glazed, cool to touch doors
- Solid metal feet
- Child safety lock
- Rotisserie in both ovens
- 2 wire shelves, grill pan and trivet in the left oven
- 1 wire shelf, grill pan and trivet in the right oven

## Accessories

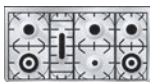
- Stainless steel back panel and warming shelf
- Cast-iron griddles

## Hoods



**Majestic**  
AM120

## Hob configurations



**7 Burner**



**Fry Top**



**Coup de Feu**

MS120	E3 CODE	Max Load W	Gas CODE	Max Load W
<b>7 Burner</b>	MS1207DE3	5300	MS1207DVG	4200
<b>Fry Top</b>	MS120FDE3	5300	MS120FDVG	4200
<b>Coup de Feu</b>	MS120SDE3	5300	MS120SDVG	4200

	Width mm	Height mm	Depth mm	Oven Litres
<b>Cooker Dimensions</b>	1216	920	700	
<b>Left Oven Internal Dimensions</b>	540	350	450	67.3
<b>Right Oven Internal Dimensions</b>	360	350	450	43.7





# Majestic Milano 120cm 90/30

M120



## Colours

Stainless Steel

Matt Black

White

Cream

Burgundy

Blue

Green

## Trim

Chrome

Brass

Antique Bronze



Colour matching

E3

E3 temperature



Energy rating

## Features

- E3 digital temperature controls in both ovens
- Temperature range from 30°C to 300°C
- Oven temperature probe (E3 only)
- Left hand multifunction oven with 9 cooking settings
- Right hand conventional oven with 5 functions including rotisserie
- Dual ring wok burner with individual ring control
- Programmable timers in both ovens
- Fascia cooling fan keeps controls cool
- Quick start rapid heat up
- One-handed ignition control
- Flame failure devices
- Individual cast iron pan supports
- Unique high efficiency solid brass burners
- Catalytic "stay-clean" liners to roof, rear and sides of both ovens
- Rounded hob top corners
- Pull down oven doors with removable glass for easy cleaning
- Full width storage drawer with soft close
- Triple-glazed, cool to touch doors
- Solid metal feet
- Child safety lock
- Rotisserie in both ovens
- 2 wire shelves, grill pan and trivet in the left oven
- 1 wire shelf, grill pan and trivet in the right oven

## Accessories

- Stainless steel back panel and warming shelf
- Cast-iron griddles

## Hoods



**Majestic**  
AM120

## Hob configurations



7 Burner



Fry Top



Coup de Feu

M120	E3 CODE	Max Load W	Gas CODE	Max Load W
7 Burner	M1207DE3	5100	M1207DVG	4000
Fry Top	M120FDE3	5100	M120FDVG	4000
Coup de Feu	M120SDE3	5100	M120SDVG	4000

	Width mm	Height mm	Depth mm	Oven Litres
<b>Cooker Dimensions</b>	1216	920	700	
<b>Left Oven Internal Dimensions</b>	640	350	450	78.6
<b>Right Oven Internal Dimensions</b>	260	350	450	30.8

# Majestic Milano 100cm Twin



MD100



## Colours

- Stainless Steel
- Matt Black
- White
- Cream
- Burgundy
- Blue
- Green

## Trim

- Chrome
- Brass
- Antique Bronze



Colour matching

**E3**

E3 temperature



Energy rating

**A**

## Features

- E3 digital temperature controls in both ovens
- Temperature range from 30°C to 300°C
- Oven temperature probe (E3 only)
- Left hand multifunction oven with 9 cooking settings
- Right hand conventional oven with 5 functions including rotisserie
- Dual ring wok burner with individual ring control
- Programmable timers in both ovens
- Fascia cooling fan keeps controls cool
- Quick start rapid heat up
- One-handed ignition control
- Flame failure devices
- Individual cast iron pan supports
- Unique high efficiency solid brass burners
- Catalytic “stay-clean” liners to roof, rear and sides of both ovens
- Rounded hob top corners
- Pull down oven doors with removable glass for easy cleaning
- Full width storage drawer with soft close
- Triple-glazed, cool to touch doors
- Solid metal feet
- Child safety lock
- 2 wire shelves, grill pan and trivet in the left oven
- 1 wire shelf, grill pan and trivet in the right oven

## Accessories

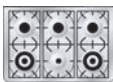
- Stainless steel back panel and warming shelf
- Cast-iron griddles

## Hoods



**Majestic**  
AM100

## Hob configurations



**6 Burner**



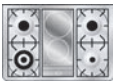
**Fry Top**



**6 Zone Induction**



**Coup de Feu**



**2 Zone Induction**

MD100	E3 CODE	Max Load W	Gas CODE	Max Load W
<b>6 Burner</b>	MD1006DE3	5100	MD1006DVG	3440
<b>Fry Top</b>	MD100FDE3	5100	MD100FDVG	3440
<b>6 Zone Induction</b>	MDI100DE3	14900		
<b>Coup de Feu</b>	MD100SDE3	5100	MD100SDVG	3440
<b>2 Zone Induction</b>	MD100IDE3	8800		

	Width mm	Height mm	Depth mm	Oven Litres
<b>Cooker Dimensions</b>	1000	920	700	
<b>Left Oven Internal Dimensions</b>	440	350	450	53.4
<b>Right Oven Internal Dimensions</b>	260	350	450	30.8



# Majestic Milano 90cm Single

M90



## Colours

Stainless Steel

Matt Black

White

Cream

Burgundy

Blue

Green

## Trim

Chrome

Brass

Antique Bronze



Colour matching

E3

E3 temperature



Energy rating

## Features

- E3 digital temperature control
- Temperature range from 30°C to 300°C
- Oven temperature probe (E3 only)
- Multifunction oven with 9 cooking settings
- Dual ring wok burner with individual ring control
- Programmable timers in both ovens
- Fascia cooling fan keeps controls cool
- Quick start rapid heat up
- One-handed ignition control
- Flame failure devices
- Individual cast iron pan supports
- Unique high efficiency solid brass burners
- Catalytic "stay-clean" liners to roof, rear and sides of oven
- Rounded hob top corners
- Pull down oven door with removable glass for easy cleaning
- Full width storage drawer with soft close
- Triple-glazed, cool to touch door
- Solid metal feet
- Child safety lock
- Full width rotisserie
- 2 wire shelves, grill pan and trivet in the oven

## Accessories

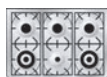
- Stainless steel back panel and warming shelf
- Cast-iron griddles

## Hoods



**Majestic**  
AM90

## Hob configurations



6 Burner



5 Burner



Fry Top



5 Zone Induction



2 Zone Induction

M90	E3 CODE	Max Load W	Gas CODE	Max Load W
6 Burner	M906DE3	3400	M906DVG	2300
5 Burner	M90DE3	3400	M90DVG	2300
Fry Top	M90FDE3	3400	M90FDVG	2300
5 Zone Induction	M90DE3	13450		
2 Zone Induction	M90IDE3	7350		

	Width mm	Height mm	Depth mm	Oven Litres
<b>Cooker Dimensions</b>	911	920	700	
<b>Main Oven Internal Dimensions</b>	640	350	450	78.6

# Majestic Milano 76cm Single



M76



## Colours

- Stainless Steel
- Matt Black
- White
- Cream
- Burgundy
- Blue
- Green

## Trim

- Chrome
- Brass
- Antique Bronze



Colour matching



E3 temperature



Energy rating

## Features

- E3 digital temperature control
- Temperature range from 30°C to 300°C
- Oven temperature probe (E3 only)
- Multifunction oven with 9 cooking settings
- Dual ring wok burner with individual ring control
- Programmable timers in both ovens
- Fascia cooling fan keeps controls cool
- Quick start rapid heat up
- One-handed ignition control
- Flame failure devices
- Individual cast iron pan supports
- Unique high efficiency solid brass burners
- Catalytic “stay-clean” liners to roof, rear and sides of oven
- Rounded hob top corners
- Pull down oven door with removable glass for easy cleaning
- Full width storage drawer with soft close
- Triple-glazed, cool to touch door
- Solid metal feet
- Child safety lock
- Full width rotisserie
- 2 wire shelves, grill pan and trivet in the oven

## Accessories

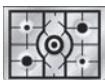
- Stainless steel back panel and warming shelf

## Hoods



**Majestic**  
AM76

## Hob configurations



5 Burner

M76	E3 CODE	Max Load W	Gas CODE	Max Load W
5 Burner	M76DE3	3400	M76DVG	2300

	Width mm	Height mm	Depth mm	Oven Litres
<b>Cooker Dimensions</b>	760	920	700	
<b>Main Oven Internal Dimensions</b>	540	350	450	67.3



# Majestic Milano 70cm Single

M70



## Colours

Stainless Steel

Matt Black

White

Cream

Burgundy

Blue

Green

## Trim

Chrome

Brass

Antique Bronze



Colour matching



E3 temperature



A

Energy rating

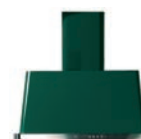
## Features

- E3 digital temperature control
- Temperature range from 30°C to 300°C
- Oven temperature probe (E3 only)
- Multifunction oven with 9 cooking settings
- Dual ring wok burner with individual ring control
- Programmable timers in both ovens
- Fascia cooling fan keeps controls cool
- Quick start rapid heat up
- One-handed ignition control
- Flame failure devices
- Individual cast iron pan supports
- Unique high efficiency solid brass burners
- Catalytic "stay-clean" liners to roof, rear and sides of oven
- Rounded hob top corners
- Pull down oven door with removable glass for easy cleaning
- Full width storage drawer with soft close
- Triple-glazed, cool to touch door
- Solid metal feet
- Child safety lock
- 2 wire shelves, grill pan and trivet in the oven

## Accessories

- Stainless steel back panel and warming shelf
- Cast-iron griddles

## Hoods



**Majestic**  
AM70

## Hob configurations



4 Burner

M70	E3 CODE	Max Load W	Gas CODE	Max Load W
4 Burner	M70DE3	3400	M70DVG	1740

	Width mm	Height mm	Depth mm	Oven Litres
<b>Cooker Dimensions</b>	700	920	700	
<b>Main Oven Internal Dimensions</b>	440	350	450	53.4



# Moderna Collection

The Moderna Collection is a range of stylish, contemporary cookers offering exceptional value for money. Available in Stainless Steel or Matt Black and in 90cm or 100cm, the Moderna comes with a choice of 6 gas burners or 4 burners and the very popular Fry Top hob options. All Moderna cookers are A rated for efficiency.



# Moderna 100cm Twin

PD100



## Colours

Stainless Steel

Matt Black

A

Energy rating

## Trim

Stainless Steel

## Features

- Programmable timer in the main oven
- Fascia cooling fan keeps controls cool
- Quick start rapid heat up
- One-handed ignition control
- Flame failure devices
- Individual cast iron pan supports
- Unique high efficiency solid brass burners
- Catalytic "stay-clean" liners on roof of both ovens
- Pull down oven doors with removable glass for easy cleaning
- Full width storage compartment
- Triple-glazed, cool to touch doors
- Height adjustable stainless steel feet
- Rotisserie in right hand oven
- 2 wire shelves, grill pan and trivet in the left oven
- 1 wire shelf, grill pan and trivet in the right oven

## Accessories

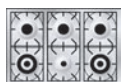
- Stainless steel back panel
- Plinth kit
- Cast-iron griddles
- Catalytic self-clean liners

## Hoods



**Classic**  
AGK100

## Hob configurations



6 Burner



Fry Top

PD100	MP CODE	Max Load W
6 Burner	PD1006MP	5300
Fry Top	PD100FMP	5300

	Width mm	Height mm	Depth mm	Oven Litres
<b>Cooker Dimensions</b>	1000	850 - 910	600	
<b>Left Oven Internal Dimensions</b>	440	350	450	53.4
<b>Right Oven Internal Dimensions</b>	360	350	450	43.7

# Moderna 90cm Twin



PD90



## Colours

Stainless Steel

Matt Black

## Trim

Stainless Steel

**A**

Energy rating

## Features

- Programmable timer in the main oven
- Fascia cooling fan keeps controls cool
- Quick start rapid heat up
- One-handed ignition control
- Flame failure devices
- Individual cast iron pan supports
- Unique high efficiency solid brass burners
- Catalytic "stay-clean" Liners on roof of both ovens
- Pull down oven doors with removable glass for easy cleaning
- Full width storage compartment
- Triple-glazed, cool to touch doors
- Height adjustable stainless steel feet
- Rotisserie in right hand oven
- 2 wire shelves, grill pan and trivet in the left oven
- 1 wire shelf, grill pan and trivet in the right oven

## Accessories

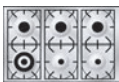
- Stainless steel back panel
- Plinth kit
- Cast-iron griddles
- Catalytic self-clean liners

## Hoods



**Classic**  
AGK90

## Hob configurations



**6 Burner**



**Fry Top**

PD90	E3 CODE	Max Load W
6 Burner	PD906MP	5100
Fry Top	PD90FMP	5100

	Width mm	Height mm	Depth mm	Oven Litres
<b>Cooker Dimensions</b>	900	850 - 910	600	
<b>Left Oven Internal Dimensions</b>	440	350	450	53.4
<b>Right Oven Internal Dimensions</b>	260	350	450	30.8





# Moderna 90cm Single

P90



## Colours

Stainless Steel

Matt Black

## Trim

Stainless Steel

A

Energy rating

## Features

- Programmable oven timer
- Fascia cooling fan keeps controls cool
- Quick start rapid heat up
- One-handed ignition control
- Flame failure devices
- Individual cast iron pan supports
- Unique high efficiency solid brass burners
- Catalytic "stay-clean" Liners on roof of both ovens
- Pull down oven door with removable glass for easy cleaning
- Full width storage compartment
- Triple-glazed, cool to touch door
- Height adjustable stainless steel feet
- Full width rotisserie
- 2 wire shelves, grill pan and trivet

## Accessories

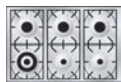
- Stainless steel back panel
- Plinth kit
- Cast-iron griddles
- Catalytic self-clean liners

## Hoods



**Classic**  
AGK90

## Hob configurations



6 Burner



Fry Top

P90	E3 CODE	Max Load W
6 Burner	P906MP	3400
Fry Top	P90FMP	3400

	Width mm	Height mm	Depth mm	Oven Litres
<b>Cooker Dimensions</b>	900	850 - 910	600	
<b>Left Oven Internal Dimensions</b>	640	350	450	78.6



# Ultimo Collection

The Ultimo Collection features all of the cooking functions of the premium collections but with traditional temperature controls. Available in Stainless Steel or Gloss Black and in 90cm or 100cm versions, the Ultimo features a powerful 6 burner hob. This cooker offers great value for money whilst still offering the very latest in cooking technology.



# Ultimo 100cm XG

KT100



## Colours

Stainless Steel

Gloss Black

## Trim

Stainless Steel

B

Energy rating

## Features

- Programmable timer in the main oven
- Fascia cooling fan keeps controls cool
- Quick start rapid heat up
- One-handed ignition control
- Flame failure devices
- Cast iron pan supports
- Unique high efficiency solid brass burners
- Pull down oven doors with removable glass for easy cleaning
- Double-glazed oven doors
- Rotisserie in right hand oven
- 2 wire shelves, grill pan and trivet in the left oven
- 1 wire shelf, grill pan and trivet in the right oven
- Separate Grill compartment with telescopic grill pan
- Plinth kit included

## Accessories

- Stainless steel back panel
- Catalytic self-clean Liners

## Hoods



**Classic**  
AGK100

## Hob configurations



6 Burner

KT100	MP CODE	Max Load W
6 Burner	KT1006MP	7800

	Width mm	Height mm	Depth mm	Oven Litres
<b>Cooker Dimensions</b>	1000	910	600	
<b>Left Oven Internal Dimensions</b>	440	350	450	53.4
<b>Right Oven Internal Dimensions</b>	360	350	450	43.7
<b>Extra Grill Internal Dimensions</b>	440	150	450	20.2

# Ultimo 100cm Twin



KD100



## Colours

Stainless Steel

Gloss Black

## Trim

Stainless Steel

**B**

Energy rating

## Features

- Programmable timer in the main oven
- Fascia cooling fan keeps controls cool
- Quick start rapid heat up
- One-handed ignition control
- Flame failure devices
- Cast iron pan supports
- Unique high efficiency solid brass burners
- Pull down oven doors with removable glass for easy cleaning
- Double-glazed oven doors
- Height adjustable stainless steel feet
- Rotisserie in right hand oven
- 2 wire shelves, grill pan and trivet in the left oven
- 1 wire shelf, grill pan and trivet in the right oven

## Accessories

- Stainless steel back panel
- Catalytic self-clean liners
- Plinth kit

## Hoods



**Classic**  
AGK100

## Hob configurations



6 Burner

KD100	E3 CODE	Max Load W
6 Burner	KD1006MP	5300

	Width mm	Height mm	Depth mm	Oven Litres
<b>Cooker Dimensions</b>	900	850 - 910	600	
<b>Left Oven Internal Dimensions</b>	440	350	450	53.4
<b>Right Oven Internal Dimensions</b>	360	350	450	43.7



# Ultimo 90cm Twin

KD90



## Colours

Stainless Steel

Gloss Black

## Trim

Stainless Steel

B

Energy rating

## Features

- Programmable timer in the main oven
- Fascia cooling fan keeps controls cool
- Quick start rapid heat up
- One-handed ignition control
- Flame failure devices
- Cast iron pan supports
- Unique high efficiency solid brass burners
- Pull down oven doors with removable glass for easy cleaning
- Double-glazed oven doors
- Height adjustable stainless steel feet
- Rotisserie in right hand oven
- 2 wire shelves, grill pan and trivet in the left oven
- 1 wire shelf, grill pan and trivet in the right oven

## Accessories

- Stainless steel back panel
- Catalytic self-clean liners
- Plinth kit

## Hoods



**Classic**  
AGK90

## Hob configurations



**6 Burner**

KD90	E3 CODE	Max Load W
6 Burner	KD906MP	5300

	Width mm	Height mm	Depth mm	Oven Litres
<b>Cooker Dimensions</b>	900	850 - 910	600	
<b>Left Oven Internal Dimensions</b>	440	350	450	53.4
<b>Right Oven Internal Dimensions</b>	260	350	450	30.8

# Built in ovens





## 60cm Slim Single Built-In Pyrolytic Oven

600SLPY



### Features

- Self-cleaning pyrolytic function at 470°C
- 9 cooking functions
- E3 digital oven temperature control
- Touch control digital display with programmable timer
- Fascia cooling fan keeps controls cool
- Quick start rapid heat up
- Double speed cooling function
- Halogen oven light
- Quadruple-glazed, cool to touch oven door
- Child safety lock
- 2 wire shelves and grill pan
- 3500 W

### Colours

Stainless Steel

### Trim

Stainless Steel

A

Energy rating

	Width mm	Height mm	Depth mm	Oven Litres
<b>Cooker Dimensions</b>	596	596	550	
<b>Main Oven Internal Dimensions</b>	440	350	450	53.4



## 60cm Slim 645 Single Built-In Oven

645SLE3



### Features

- E3 digital oven temperature control
- Temperature range from 30°C to 300°C
- 9 cooking functions
- Programmable oven timer
- Fascia cooling fan keeps controls cool
- Quick start rapid heat up
- Halogen oven light
- Triple-glazed, cool to touch oven door
- Child safety lock
- 1 wire shelf and grill pan
- 2900 W

	Width mm	Height mm	Depth mm	Oven Litres
<b>Cooker Dimensions</b>	596	455	550	
<b>Main Oven Internal Dimensions</b>	440	230	450	35.1

### Colours

Stainless Steel

### Trim

Stainless Steel

A

Energy rating

# 60cm Slim 645 Single Built-In Pizza Oven



645LZVE4/I



## Features

- E3 digital oven temperature control
- Special pizza function - creates the perfect settings to cook fresh Italian style pizzas
- Temperature range from 30°C to 400°C
- Double speed cooling motor
- 9 cooking functions
- Programmable oven timer
- Fascia cooling fan keeps controls cool
- Quick start rapid heat up
- Halogen oven light
- Quadruple-glazed, cool to touch oven door
- Child safety lock
- Pizza cooking oven furniture with stainless steel pizza paddle
- 1 wire shelf and grill pan
- 2900 W

## Colours

Stainless Steel

## Trim

Stainless Steel

**A**

Energy rating

	Width mm	Height mm	Depth mm	Oven Litres
<b>Cooker Dimensions</b>	596	455	550	
<b>Main Oven Internal Dimensions</b>	440	230	450	35.1

# 60cm Slim 645 Built-In Steam Oven



645LTKST



## Features

- Steam Oven
- 4 Cooking levels
- Digital display
- Dedicated steam generator
- Defrost function
- 1.2 litre tank
- Halogen oven light
- Pressurised ventilation
- Water shortage display
- Limescale cleaning cycle warning
- Child Safety Lock
- 2 stainless steel drip pans
- 1500 W

	Width mm	Height mm	Depth mm	Oven Litres
<b>Cooker Dimensions</b>	596	455	550	
<b>Main Oven Internal Dimensions</b>	440	230	450	35.1

## Colours

Stainless Steel

## Trim

Stainless Steel

**A**

Energy rating





## 60cm Slim 645 Built-In Combi-Microwave

645LTKCW



### Features

- Combi microwave oven
- 6 levels of microwave cooking
- Digital display
- Net capacity 32 litres - gross 38 litres
- Collapsible 1500 W grill
- 1000 W microwave
- Automatic defrost by time or weight
- Pressurised ventilation
- 6 oven cooking functions
- 3 automatic cooking functions
- Child Safety Lock
- Glass drip pan and trivet
- Circular glass plate
- 1500 W

	Width mm	Height mm	Depth mm	Oven Litres
<b>Cooker Dimensions</b>	596	455	550	

### Colours

Stainless Steel

### Trim

Stainless Steel



## 60cm Warming Drawer

615SL-WD



### Features

- Warming Drawer
- Telescopic drawer with anti-slide material
- Adjustable temperature between 40°C - 80°C
- On/off light
- 400 W
- Perfect for keeping plates and food warm

	Width mm	Height mm	Depth mm	Oven Litres
<b>Cooker Dimensions</b>	596	143	550	

### Colours

Stainless Steel

### Trim

Stainless Steel

A

Energy rating

# 60cm Roma Single Built-In Oven



600WE3



## Features

- E3 digital oven temperature control
- Temperature range from 30°C to 300°C
- 9 cooking functions
- Programmable oven timer
- Fascia cooling fan keeps controls cool
- Quick start rapid heat up
- Halogen oven light
- Triple-glazed, cool to touch oven door
- Child safety lock
- 2 wire shelves and grill pan
- 3400 W

	Width mm	Height mm	Depth mm	Oven Litres
<b>Cooker Dimensions</b>	596	596	550	
<b>Main Oven Internal Dimensions</b>	440	350	450	53.4

## Colours

Stainless Steel

White

## Trim

Stainless Steel

**A**

Energy rating

# 60cm Milano Single Built-In Oven



600CE3



## Features

- E3 digital oven temperature control
- Temperature range from 30°C to 300°C
- 9 cooking functions
- Programmable oven timer
- Fascia cooling fan keeps controls cool
- Quick start rapid heat up
- Halogen oven light
- Triple-glazed, cool to touch oven door
- Child safety lock
- 2 wire shelves and grill pan
- 3400 W

	Width mm	Height mm	Depth mm	Oven Litres
<b>Cooker Dimensions</b>	596	596	550	
<b>Main Oven Internal Dimensions</b>	440	350	450	53.4

## Colours

Stainless Steel

White

Burgundy

Green

Matt Black

Cream

Blue

Copper

## Trim

Chrome

Antique Bronze

Brass

**A**

Energy rating



## 60cm Roma Single Built-In Pyrolytic Oven

600WPY



### Features

- Self-cleaning pyrolytic function at 470°C
- 9 cooking functions
- E3 digital oven temperature control
- Touch control digital display with programmable timer
- Fascia cooling fan keeps controls cool
- Quick start rapid heat up
- Double speed cooling function
- Halogen oven light
- Quadruple-glazed, cool to touch oven door
- Child safety lock
- 2 wire shelves and grill pan
- 3500 W

### Colours

Stainless Steel

### Trim

Stainless Steel

A

Energy rating

	Width mm	Height mm	Depth mm	Oven Litres
<b>Cooker Dimensions</b>	596	596	550	
<b>Main Oven Internal Dimensions</b>	440	350	450	53.4



## 70cm Roma Single Built-In Oven

700WE3



### Features

- E3 digital oven temperature control
- Temperature range from 30°C to 300°C
- 9 cooking functions
- Programmable oven timer
- Fascia cooling fan keeps controls cool
- Quick start rapid heat up
- Halogen oven light
- Triple-glazed, cool to touch oven door
- Child safety lock
- 2 wire shelves and grill pan
- Rotisserie fitting
- 3400 W

### Colours

Stainless Steel

### Trim

Stainless Steel

A

Energy rating

	Width mm	Height mm	Depth mm	Oven Litres
<b>Cooker Dimensions</b>	697	596	550	
<b>Main Oven Internal Dimensions</b>	540	350	450	67.3

# 70cm Milano Single Built-In Oven



700CE3



## Features

- E3 digital oven temperature control
- Temperature range from 30°C to 300°C
- 9 cooking functions
- Programmable oven timer
- Fascia cooling fan keeps controls cool
- Quick start rapid heat up
- Halogen oven light
- Triple-glazed, cool to touch oven door
- Child safety lock
- 2 wire shelves and grill pan
- Rotisserie fitting
- 3400 W

	Width mm	Height mm	Depth mm	Oven Litres
<b>Cooker Dimensions</b>	697	596	550	
<b>Main Oven Internal Dimensions</b>	540	350	450	67.3

## Colours



## Trim



**A** Energy rating

# 80cm Roma Single Built-In Oven



800WE3



## Features

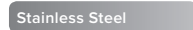
- E3 digital oven temperature control
- Temperature range from 30°C to 300°C
- 9 cooking functions
- Programmable oven timer
- Fascia cooling fan keeps controls cool
- Quick start rapid heat up
- Halogen oven light
- Triple-glazed, cool to touch oven door
- Child safety lock
- 2 wire shelves and grill pan
- Rotisserie fitting
- 3400 W

	Width mm	Height mm	Depth mm	Oven Litres
<b>Cooker Dimensions</b>	769	596	550	
<b>Main Oven Internal Dimensions</b>	640	350	450	78.6

## Colours



## Trim



**A** Energy rating



## 90cm Roma Single Built-In Oven

900WE3



### Features

- E3 digital oven temperature control
- Temperature range from 30°C to 300°C
- 9 cooking functions
- Programmable oven timer
- Fascia cooling fan keeps controls cool
- Quick start rapid heat up
- Halogen oven light
- Triple-glazed, cool to touch oven door
- Child safety lock
- 2 wire shelves and grill pan
- Rotisserie fitting
- 3400 W

	Width mm	Height mm	Depth mm	Oven Litres
<b>Cooker Dimensions</b>	896	596	550	
<b>Main Oven Internal Dimensions</b>	640	350	450	78.6

### Colours

Stainless Steel

White

Matt Black

### Trim

Stainless Steel

A

Energy rating



## 90cm Milano Single Built-In Oven

900CE3



### Features

- E3 digital oven temperature control
- Temperature range from 30°C to 300°C
- 9 cooking functions
- Programmable oven timer
- Fascia cooling fan keeps controls cool
- Quick start rapid heat up
- Halogen oven light
- Triple-glazed, cool to touch oven door
- Child safety lock
- 2 wire shelves and grill pan
- Rotisserie fitting
- 3400 W

	Width mm	Height mm	Depth mm	Oven Litres
<b>Cooker Dimensions</b>	896	596	550	
<b>Main Oven Internal Dimensions</b>	640	350	450	78.6

### Colours

Stainless Steel

White

Burgundy

Green

Matt Black

Cream

Blue

Copper

### Trim

Chrome

Antique Bronze

Brass

A

Energy rating

# 90cm Slim Touch Control Single Built-In Oven



900SLTCE3



## Features

- Touch control digital display
- E3 digital oven temperature control
- Temperature range from 30°C to 300°C
- 10 cooking functions
- Oven temperature probe
- Programmable oven timer
- Fascia cooling fan keeps controls cool
- Quick start rapid heat up
- Halogen oven light
- Triple-glazed, cool to touch oven door
- Child safety lock
- 2 wire shelves and grill pan
- Rotisserie
- A Rated
- 2900 W

## Colours

Stainless Steel

## Trim

Stainless Steel

**A**

Energy rating

	Width mm	Height mm	Depth mm	Oven Litres
<b>Cooker Dimensions</b>	896	596	550	
<b>Main Oven Internal Dimensions</b>	640	350	450	78.6

# 90cm Roma Twin Built-In Oven



D900WE3



## Features

- E3 digital oven temperature control
- Temperature range from 30°C to 300°C
- 9 cooking functions in the left hand oven
- 5 Cooking functions including rotisserie in the right hand oven
- Programmable oven timer
- Fascia cooling fan keeps controls cool
- Quick start rapid heat up
- Halogen oven light
- Triple-glazed, cool to touch oven doors
- Child safety lock
- 2 wires shelves and a grill pan in the left hand oven
- Rotisserie fitting, 1 wire shelf and grill pan in the right hand oven
- 5100 W

## Colours

Stainless Steel

## Trim

Stainless Steel

**A**

Energy rating

	Width mm	Height mm	Depth mm	Oven Litres
<b>Cooker Dimensions</b>	896	596	550	
<b>Left Oven Internal Dimensions</b>	440	350	450	53.4
<b>Right Oven Internal Dimensions</b>	260	350	450	30.8



## 90cm Milano Twin Built-In Oven

D900NE3  
Bronze - D900NCE3



### Features

- E3 digital oven temperature control
- Temperature range from 30°C to 300°C
- 9 cooking functions in the left hand oven
- 5 Cooking functions including rotisserie in the right hand oven
- Programmable traditional analogue style oven timer
- Fascia cooling fan keeps controls cool
- Quick start rapid heat up
- Halogen oven light
- Triple-glazed, cool to touch oven doors
- Child safety lock
- 2 wire shelves and grill pan the left hand oven
- Rotisserie fitting, 1 wire shelf and grill pan in the right hand oven
- 5100 W

### Colours



### Trim



**A** Energy rating

	Width mm	Height mm	Depth mm	Oven Litres
<b>Cooker Dimensions</b>	896	596	550	
<b>Left Oven Internal Dimensions</b>	440	350	450	53.4
<b>Right Oven Internal Dimensions</b>	260	350	450	30.8



## 60cm Freestanding Multifunction Pizza Oven

A645LZE4



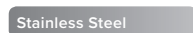
### Features

- Freestanding with sealed stainless steel outer body
- E3 digital oven temperature control
- Special pizza function - creates the perfect settings to cook fresh Italian style pizzas
- Temperature range from 30°C to 400°C
- Double speed cooling motor
- 10 cooking functions
- Programmable oven timer
- Fascia cooling fan keeps controls cool
- Quick start rapid heat up
- Halogen oven light
- Quadruple-glazed, cool to touch oven door
- Child safety lock
- Pizza cooking oven furniture with stainless steel pizza paddle
- 1 wire shelf and grill pan
- 2900 W

### Colours



### Trim



**A** Energy rating

	Width mm	Height mm	Depth mm	Oven Litres
<b>Cooker Dimensions</b>	596	455	550	
<b>Main Oven Internal Dimensions</b>	440	230	450	35.1

# Built in hobs







## 120cm Professional Gas Hob - 6 Burner Fry Top

HP1265FD



A

Energy rating

### Features

- Robust, professional style build quality
- Sits on top of kitchen cabinetry
- Solid stainless steel Fry Top griddle
- Individual cast-iron pan supports
- Unique solid brass burners
- Metal controls
- Automatic one-handed ignition
- Flame failure devices
- LPG convertible

### Accessories

- Cast-iron griddles

### Burner specifications

- 1 × Wok Burner - 4.3 kW
- 1 × Fish-kettle Burner - 3.1kW
- 3 × Medium Burners - 2.6kW
- 1 × Small Burner - 1.7kW



## 120cm Professional Gas Hob - 7 Burner Fish

HP12657D



A

Energy rating

### Features

- Robust, professional style build quality
- Sits on top of kitchen cabinetry
- Individual cast-iron pan supports
- Unique solid brass burners
- Metal controls
- Automatic one-handed ignition
- Flame failure devices
- LPG convertible

### Accessories

- Cast-iron griddles

### Burner specifications

- 1 × Dual Control Wok Burner - 0.37kW to 5kW
- 1 × Wok Burner - 4.3 kW
- 1 × Fish-kettle Burner - 3.1kW
- 3 × Medium Burners - 2.6kW
- 1 × Small Burner - 1.7kW

# 90cm Professional Gas Hob - 4 Burner Fry Top



HP965FD



**A**

Energy rating

## Features

- Robust, professional style build quality
- Sits on top of kitchen cabinetry
- Solid stainless steel Fry Top griddle
- Individual cast-iron pan supports
- Unique solid brass burners
- Metal controls
- Automatic one-handed ignition
- Flame failure devices
- LPG convertible

## Accessories

- Cast-iron griddles
- Pan support for Fish Burner (KGRFT001)

## Burner specifications

- 1 × Dual Control Wok Burner - 0.37kW to 5kW
- 1 × Fish-kettle Burner - 3.1kW
- 2 × Medium Burners - 2.6kW
- 1 × Small Burner - 1.7kW

# 90cm Professional Gas Hob - 6 Burner



HP9656D



**A**

Energy rating

## Features

- Robust, professional style build quality
- Sits on top of kitchen cabinetry
- Individual cast-iron pan supports
- Unique solid brass burners
- Metal controls
- Automatic one-handed ignition
- Flame failure devices
- LPG convertible

## Accessories

- Cast-iron griddles
- Pan support for Fish Burner (KGRFT001)

## Burner specifications

- 1 × Dual Control Wok Burner- 0.37kW to 5kW
- 3 × Medium Burners - 2.6kW
- 2 × Small Burner - 1.7kW



## 90cm Roma Flush Gas Hob - 4 Burner Fry Top

XLPT90FD



### Features

- Flush fitting design
- 8mm thick stainless steel Fry Top
- Individual cast-iron pan supports
- Unique solid brass burners
- Metal controls
- Automatic one-handed ignition
- Flame failure devices
- LPG convertible

### Accessories

- Cast-iron griddles

### Burner specifications

- 1 × Dual Control Wok Burner - 0.37kW to 5kW
- 1 × Fish-kettle Burner - 3.1kW
- 2 × Medium Burners - 2.6kW
- 1 × Small Burner - 1.7kW

A

Energy rating



## 120cm Roma Gas Hob - 4 Burner

HP1230D



### Features

- Horizontal design
- Side-located controls
- Individual cast-iron pan supports
- Unique solid brass burners
- Metal controls
- Automatic one-handed ignition
- Flame failure devices
- LPG convertible

### Accessories

- Square cast-iron griddles

### Burner specifications

- 1 × Dual Control Wok Burner - 0.37kW to 5kW
- 2 × Medium Burners - 2.6kW
- 1 × Small Burner - 1.7kW

### Colours available

Stainless Steel

### Controls

Stainless Steel

A

Energy rating

# 90cm Roma Gas Hob - 4 Burner Fry Top



HP95FC



## Features

- 8mm thick stainless steel Fry Top
- Individual cast-iron pan supports
- Unique solid brass burners
- Metal controls
- Automatic one-handed ignition
- Flame failure devices
- LPG convertible

## Accessories

- Cast-iron griddles

## Burner specifications

- 1 × Wok Burner - 4.3kW
- 1 × Fish-kettle Burner - 3.1kW
- 2 × Medium Burners - 2.6kW
- 1 × Small Burner - 1.7kW

## Colours available

Stainless Steel

## Controls

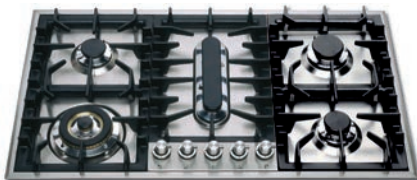
Stainless Steel

**A** Energy rating

# 90cm Roma Gas Hob - 5 Burner Fish



HP95PD



## Features

- Central fish-kettle burner
- Individual cast-iron pan supports
- Unique solid brass burners
- Metal controls
- Automatic one-handed ignition
- Flame failure devices
- LPG convertible

## Accessories

- Cast-iron griddles
- Stainless steel Fry Top - G/419/06

## Burner specifications

- 1 × Wok Burner - 4.3kW
- 1 × Fish-kettle Burner - 3.1kW
- 2 × Medium Burners - 2.6kW
- 1 × Small Burner - 1.7kW

## Colours available

Stainless Steel

## Controls

Stainless Steel

**A** Energy rating



## 90cm Roma Gas Hob - 5 Burner Wok

HP95C



A

Energy rating

### Features

- Individual cast-iron pan supports
- Unique solid brass burners
- Metal controls
- Automatic one-handed ignition
- Flame failure devices
- LPG convertible

### Accessories

- Cast-iron griddles

### Burner specifications

- 1 × Wok Burner - 4.3kW
- 2 × Medium Burners - 2.6kW
- 2 × Small Burner - 1.7kW



## 70cm Roma Gas Hob - 5 Burner Wok

HP75C



### Colours available

Stainless Steel

### Controls

Stainless Steel

A

Energy rating

### Features

- Individual cast-iron pan supports
- Unique solid brass burners
- Metal controls
- Automatic one-handed ignition
- Flame failure devices
- LPG convertible

### Accessories

- Cast-iron griddles

### Burner specifications

- 1 × Wok Burner - 4.3kW
- 2 × Medium Burners - 2.6kW
- 2 × Small Burner - 1.7kW

# 60cm Roma Gas Hob - 4 Burner



HP65C



## Features

- Individual cast-iron pan supports
- Unique solid brass burners
- Metal controls
- Automatic one-handed ignition
- Flame failure devices
- LPG convertible

## Accessories

- Cast-iron griddles

## Burner specifications

- 1 × Wok Burner - 4.3kW
- 1 × Medium Burners - 2.6kW
- 2 × Small Burner - 1.7kW

## Colours available

Stainless Steel

## Controls

Stainless Steel

A

Energy rating

# 90cm Moderna Gas Hob - Fry Top



HCB90FCV



## Features

- 8mm thick stainless steel Fry Top
- Cast-iron pan supports
- Unique solid brass burners
- Metal controls
- Automatic one-handed ignition
- Flame failure devices
- LPG convertible

## Burner specifications

- 1 × Wok Burner - 4.3kW
- 1 × Fish-kettle Burner - 3.1kW
- 1 × Medium Burners - 2.6kW
- 2 × Small Burner - 1.7kW

## Colours available

Stainless Steel

## Controls

Stainless Steel

A

Energy rating



## 90cm Milano Gas Hob - Fry Top

HCB90FCN



### Colours Available

Stainless Steel

Matt Black

White

Cream

Burgundy

Blue

Green

Copper

### Controls

Chrome

Brass

### Extra finishes

Antique Bronze

A

Energy rating

### Features

- 8mm thick stainless steel Fry Top
- Cast-iron pan supports
- Unique solid brass burners
- Metal controls
- Automatic one-handed ignition
- Flame failure devices
- LPG convertible

### Burner specifications

- 1 × Wok Burner - 4.3kW
- 1 × Fish-kettle Burner - 3.1kW
- 1 × Medium Burners - 2.6kW
- 2 × Small Burner - 1.7kW



## 90cm Moderna Gas Hob - 6 Burner

HCB906CV



### Colours available

Stainless Steel

### Controls

Stainless Steel

A

Energy rating

### Features

- Cast-iron pan supports
- Unique solid brass burners
- Metal controls
- Automatic one-handed ignition
- Flame failure devices
- LPG convertible

### Burner specifications

- 1 × Wok Burner - 4.3kW
- 2 × Medium Burners - 2.6kW
- 3 × Small Burner - 1.7kW

# 90cm Milano Gas Hob - 6 Burner



HCB906CN



## Features

- Cast-iron pan supports
- Unique solid brass burners
- Metal controls
- Automatic one-handed ignition
- Flame failure devices
- LPG convertible

## Burner specifications

- 1x Wok Burner - 4.3kW
- 2x Medium Burners - 2.6kW
- 3x Small Burner - 1.7kW

## Colours Available

Stainless Steel

Matt Black

White

Cream

Burgundy

Blue

Green

Copper

## Controls

Chrome

Brass

## Extra finishes

Antique Bronze

A

Energy rating

# 70cm Moderna Gas Hob - 5 Burner



HCB70CV



## Features

- Cast-iron pan supports
- Unique solid brass burners
- Metal controls
- Automatic one-handed ignition
- Flame failure devices
- LPG convertible

## Burner specifications

- 1x Wok Burner - 4.3kW
- 2x Medium Burners - 2.6kW
- 2x Small Burner - 1.7kW

## Colours available

Stainless Steel

## Controls

Stainless Steel

A

Energy rating





## 70cm Milano Gas Hob - 5 Burner

HCB70CN



### Colours Available

Stainless Steel

Matt Black

White

Cream

Burgundy

Blue

Green

Copper

### Controls

Chrome

Brass

### Extra finishes

Antique Bronze

A

Energy rating

### Features

- Cast-iron pan supports
- Unique solid brass burners
- Metal controls
- Automatic one-handed ignition
- Flame failure devices
- LPG convertible

### Accessories

- Cast-iron griddles

### Burner specifications

- 1 × Wok Burner - 4.3kW
- 2 × Medium Burners - 2.6kW
- 2 × Small Burner - 1.7kW



## 60cm Moderna Gas Hob - 4 Burner

HCB60CV



### Colours available

Stainless Steel

### Controls

Stainless Steel

A

Energy rating

### Features

- Cast-iron pan supports
- Unique solid brass burners
- Metal controls
- Automatic one-handed ignition
- Flame failure devices
- LPG convertible

### Burner specifications

- 1 × Wok Burner - 4.3kW
- 1 × Medium Burners - 2.6kW
- 2 × Small Burner - 1.7kW

# 60cm Milano Gas Hob - 4 Burner



HCB60CN



## Features

- Cast-iron pan supports
- Unique solid brass burners
- Metal controls
- Automatic one-handed ignition
- Flame failure devices
- LPG convertible

## Burner specifications

- 1 × Wok Burner - 4.3kW
- 1 × Medium Burners - 2.6kW
- 2 × Small Burner - 1.7kW

**A** Energy rating

## Colours Available



## Controls



## Extra finishes



# 90cm 5 Zone Induction Hob



KHV190TC



## Features

- Induction ceramic hob
- Touch control
- Boost function
- Pan detection
- Child safety lock
- Liquid overflow protection
- Timer with automatic stop
- Overheat protection
- Residual Heat indicator
- Pause function
- Keep-warm function
- Bridge function

## Induction Zone Specifications

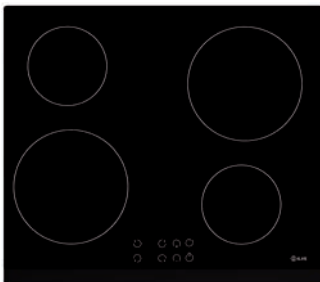
- 1 Zone Ø 260mm 2.6kW (3.7kW Boost)
- 1 Zone Ø 145mm 1.4kW (2.2kW Boost)
- 1 Zones Ø 180 mm 1.85 kW (3 kW with Booster)
- 2 Octagonal Zones 2.1kW (3.7kW Boost)
- Max Power - 11.1kW

**A** Energy rating

# 60cm 4 Zone Induction Hob



KHV160TC



## Features

- Induction ceramic hob
- Touch control
- Boost function
- Pan detection
- Child safety lock
- Liquid overflow protection
- Timer with automatic stop
- Overheat protection
- Residual Heat indicator

## Induction Zone Specifications

- 2 Zones Ø 210mm 1.5kW (2kW Boost)
- 2 Zones Ø 145mm 1.2kW (1.6kW Boost)
- Max Power - 7.2kW

**A** Energy rating



## Domino Gas Fry Top

H30PFV



### Features

- 8mm thick stainless steel Fry Top griddle
- Flame failure device
- Robust solid brass burner
- Metal controls
- One handed, automatic ignition

### Burner specifications

- 1 × Fish-kettle burner - 3.1kW

A

Energy rating



## Domino Gas 2 Burners

H30V



### Features

- Cast-iron pan supports
- Flame failure devices
- Robust solid brass burners
- Metal controls
- One handed, automatic ignition

### Burner specifications

- 1 × Medium burner - 2.6kW
- 1 × Small burner - 1.7kW

A

Energy rating



## Domino Gas Dual Burner Wok

H30DV



### Features

- Dual control burner
- Cast-iron pan support
- Flame failure device
- Robust solid brass burner
- Metal controls
- One handed, automatic ignition

### Burner specifications

- 1 × Dual Control Wok Burner - 0.37kW - 4.5kW

A

Energy rating



## Domino Gas Fish Kettle

H30PV



### Features

- Cast-iron pan support
- Flame failure device
- Robust solid brass burner
- Metal controls
- One handed, automatic ignition

### Burner specifications

- 1 × Fish-kettle burner - 3.1kW

A

Energy rating

# Domino 2 Zone Induction



HVI32



## Features

- Knob control
- Digital display
- Stainless Steel body

## Burner specifications

- Two Induction Zones: Ø 180 -1400W

**A** Energy rating





# Hoods





# Modern Hood

AGQ



## Colours

Stainless Steel

A

Energy rating

## Features

- Wall mounted
- 4 motor speeds
- Available in ducted or recirculating mode
- Automatic switch off
- LED lights
- Warning light for filter maintenance
- To be installed at a minimum of 65cm from the hob
- To be installed with Ø150mm rigid plastic or aluminium flexible ducting (not supplied)
- 360 W – 220-240V – 50/60 Hz
- 890 m<sup>3</sup>h – 470 Pa

## Accessories

- Remote control (A/301/00)
- Charcoal filters to recirculate (G/076/09)
- Stainless steel back panel with ladle bracket

## Specifications

Speed	Watts	Pressure	Air Capacity - m <sup>3</sup> h	Noise Level (db)
Speed 1	109	346.1	360	42
Speed 2	148	451.1	480	46
Speed 3	212	496.3	600	52
Speed 4	346	531.4	1000	66

## Dimensions

Length (mm)	Chimney ( mm)	CODE Code	Back panel (with Ladle Bracket)	800 mm Chimney Extension
600	330	AGQ60	AP4-60	A/017/26/08
700	330	AGQ70	AP4-70	A/017/26/08
800	330	AGQ80	AP4-80	A/017/26/08
900	330	AGQ90	AP4-90	A/017/26/08
1000	330	AGQ100	AP4-100	A/017/26/08
1200	400	AGQ120	AP4-120	A/017/27/08
1500	400	AGQ150	AP4-150	A/017/27/08

AG



## Colours

- Stainless Steel
- Matt Black**
- White
- Cream
- Burgundy
- Blue
- Green

AG80 and AG110 only available in Stainless Steel

**A** Energy rating

## Features

- Wall mounted
- 4 motor speeds
- Available in ducted or recirculating mode
- Aluminium grease filters
- Adjustable and delayed self-switching off
- LED lights
- Warning light for filter maintenance
- To be installed at a minimum of 65cm from the hob
- To be installed with Ø150mm rigid plastic or aluminium flexible ducting (not supplied)
- 360 W – 220-240V – 50/60 Hz
- 890 m3h – 470 Pa

## Accessories

- Remote control (A/301/00)
- Charcoal filters to recirculate (G/076/09)
- Stainless steel back panel with ladle bracket

## Specifications

Speed	Watts	Pressure	Air Capacity - m <sup>3</sup> h	Noise Level (db)
<b>SPEED 1</b>	109	346.1	360	42
<b>SPEED 2</b>	148	451.1	480	46
<b>SPEED 3</b>	212	496.3	600	52
<b>SPEED 4</b>	346	531.4	1000	66

## Dimensions

Length (mm)	Chimney ( mm)	CODE Code	Back panel (with Ladle Bracket)	800 mm Chimney Extension
<b>600</b>	250	AG60	AP4-60	A/017/23/colour
<b>700</b>	250	AG70	AP4-70	A/017/23/colour
<b>800</b>	250	AG80	AP4-80	A/017/23/colour
<b>900</b>	250	AG90	AP4-90	A/017/23/colour
<b>1000</b>	250	AG100	AP4-100	A/017/23/colour
<b>1200</b>	400	AG120	AP4-120	A/017/20/colour
<b>1500</b>	400	AG150	AP4-150	A/017/20/colour





# Classic Hood

AGK



## Colours

Stainless Steel

A

Energy rating

## Features

- Wall mounted
- 4 motor speeds
- Available in ducted or recirculating mode
- LED Lights
- To be installed a minimum of 65cm from the hob
- To be installed with Ø150mm rigid plastic or aluminium flexible ducting (not supplied)

## Accessories

- Remote control (A/301/00)
- Charcoal filters to recirculate (A/076/22)
- Stainless steel back panel with ladle bracket

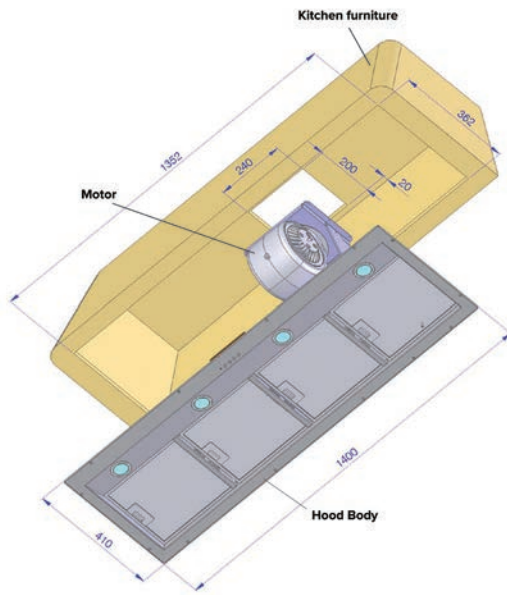
## Specifications

Max Aspiration	640m <sup>3</sup> h
Max Noise Level	56 db
Air Outlet	150 mm
Lighting	2 x LED Lights

Speed	Watts	Air Capacity - m <sup>3</sup> h	Noise Level (db)
SPEED 1	122	261	42
SPEED 2	151	381	47
SPEED 3	187	510	52
SPEED 4	214	640	56

## Dimensions

Model	Length (mm)
AGK90	900
AGK100	1000



## Colours

Stainless Steel

## Features

- Integrated
- 4 motor speeds
- Available in ducted or recirculating mode
- Adjustable and delayed self-switching off
- LED lights
- Warning light for filter maintenance
- To be installed a minimum of 65cm from the hob
- To be installed with Ø150mm rigid plastic or aluminium flexible ducting (not supplied)
- 360 W – 220-240V – 50/60 Hz
- 1000 m<sup>3</sup>h – 470 Pa

## Accessories

- Remote control (A/301/00)
- Charcoal filters to recirculate (G/076/09)

## Specifications

Speed	Watts	Pressure	Air Capacity - m <sup>3</sup> h	Noise Level (db)
<b>SPEED 1</b>	109	346.1	360	42
<b>SPEED 2</b>	148	451.1	480	46
<b>SPEED 3</b>	212	496.3	600	52
<b>SPEED 4</b>	346	531.4	1000	66

## Dimensions

Length (mm)	Depth ( mm)	CODE Code
<b>732</b>	410	IAG90
<b>1066</b>	410	IAG120
<b>1400</b>	410	IAG150



# Majestic Hood

AM



## Colours

Stainless Steel

Matt Black

White

Cream

Burgundy

Blue

Green

A

Energy rating

## Features

- Wall mounted
- 4 motor speeds
- 2 × 175W Infrared spotlights for warming food. (1 spotlight on AM70)
- Available in ducted or recirculating mode
- Aluminium grease filters
- Adjustable and delayed self-switching off
- LED lights
- Warning light for filter maintenance
- To be installed at a minimum of 65cm from the hob
- To be installed with Ø150mm rigid plastic or aluminium flexible ducting (not supplied)
- 360 W – 220-240V – 50/60 Hz
- 1000 m<sup>3</sup>h – 470 Pa

## Accessories

- Remote control (A/301/00)
- Charcoal filters to recirculate (G/076/09)
- Stainless steel back panel with ladle bracket
- Plate support rack

## Specifications

Speed	Watts	Pressure	Air Capacity - m <sup>3</sup> h	Noise Level (db)
SPEED 1	109	346.1	360	42
SPEED 2	148	451.1	480	46
SPEED 3	212	496.3	600	52
SPEED 4	346	531.4	1000	66

## Dimensions

Length (mm)	Chimney ( mm)	CODE Code	Back panel (with Ladle Bracket)	800 mm Chimney Extension
700	280	AM70	AM4-70	A/017/19/colour
760	280	AM76	AM4-76	A/017/19/colour
911	400	AM90	AM4-90	A/017/20/colour
1000	400	AM100	AM4-100	A/017/20/colour
1216	400	AM120	AM4-120	A/017/20/colour
1511	400	AM150	AM4-150	A/017/20/colour

# Accessories



**APZ Plinth Kits** - 140mm high plinth kit in matching colours to hide the feet of Roma, Milano, Moderna and Ultimo range cookers.

**AMZ Plinth Kits** - 150mm high stainless steel plinth kit to hide the feet of Majestic Roma range cookers.

### Colours

Stainless Steel

Gloss Black

Matt Black

White

Cream

Burgundy

Blue

Green

### APZ CODES

Cooker Width	140mm High Plinth Kit	Colours Available
<b>P60</b>	APZ60/140/COLOUR	Matching colours*
<b>P70</b>	APZ70/140/COLOUR	Matching colours
<b>P80</b>	APZ80/140/I	Stainless Steel Only
<b>P90, K90</b>	APZ90/140/COLOUR	Matching colours
<b>P100, K100</b>	APZ100/140/COLOUR	Matching colours
<b>P120</b>	APZ120/140/COLOUR	Matching colours
<b>P150</b>	APZ150/140/COLOUR	Matching colours

\* Excluding white

### AMZ CODES

Cooker Width	150mm High Plinth Kit	Colours Available
<b>MT70</b>	AMZ70/I	Stainless Steel Only
<b>MT76</b>	AMZ76/I	Stainless Steel Only
<b>MT90</b>	AMZ90/I	Stainless Steel Only
<b>MT100</b>	AMZ100/I	Stainless Steel Only
<b>MT120</b>	AMZ120/I	Stainless Steel Only
<b>MT150</b>	AMZ150/I	Stainless Steel Only



These solid cast-iron griddles are designed specifically by ILVE to fit on top of existing pan supports. Griddles are ideal for cooking foods that are usually grilled such as steaks, fish and kebabs.

The Flat Griddle is ideal for griddling drop scones, eggs and pancakes.

The Ribbed Griddle is ideally suited for searing meats such as sausages, chicken breasts and steaks.

CODE	Griddle	Size (mm)
A/006/02	Ribbed Rectangle	280(d) x 340(w)
A/006/08	Flat Rectangle	280(d) x 340(w)
A/006/04	Ribbed Square	280(d) x 285(w)
A/006/06	Flat Square	280(d) x 285(w)

CODE	Product Name	Description
G/419/03	Barbecue Ribbed Grill Insert	For use with Fry Top models, the ribbed insert fits perfectly into the existing Fry Top area.
G/040/01	Cloche Fry Top Cover	The Stainless steel cloche style cover is designed for Teppanyaki style cooking on the Fry Top.
A/484/01	Solid Wood Chopping Board	The 30mm thick solid wood chopping board fits snugly into the Fry Top area.
G/002/01	Stainless Steel Bain Marie Basins	For use with Fry Top models, the bain marie kit requires the use of the Fish Burner pan supports. The kit includes 3 baskets with lids in one container to provide bain marie style heating.
G/002/02	Stainless Steel Steam Basins	For use with Fry Top models - the steam basin kit is composed of 2 containers with lids.
A/092/34	Wok Support	Cast-iron wok support to cradle traditional style woks.
G/419/08	Fry Top for 2 Zone Induction	Specialy designed stainless steel Fry Top to be used with range cookers with 2 central induction zones.



## Stay clean oven liners

CODE	Product Name	Description
<b>G/170/18</b>	Stay clean liner 30cm	Catalytic stay clean oven liners. The liners are activated at 200°C at which point any food or grease residues in the oven is burnt away so that it can be easily swept out of the oven. Suitable for built-in ovens and the Ultimo and Moderna range cookers.
<b>G/170/24</b>	Stay clean liner 40cm	
<b>G/170/22</b>	Stay clean liner 60cm	
<b>G/170/23</b>	Stay clean liner 90cm	



## Oven accessories

CODE	Product Name	Description
<b>G/002/03</b>	Steam Cooking Basin Set 60/70cm oven	Stainless steel basins with lids designed to enable steam cooking within the oven. Ideal for cooking fish and vegetables.
<b>G/002/05</b>	Steam Cooking Basin Set 80/90cm oven	



## Back Panels



### AP4 Back panel

Suitable for use with Roma, Milano, Moderna and Ultimo range cookers.

Cooker Width	Back panel CODE
<b>P60</b>	AP4-60
<b>P70</b>	AP4-70
<b>P80</b>	AP4-80
<b>P90, K90</b>	AP4-90
<b>P100, K100</b>	AP4-100
<b>P110</b>	AP4-110
<b>P120</b>	AP4-120
<b>P150</b>	AP4-150

### AM4 Back panel

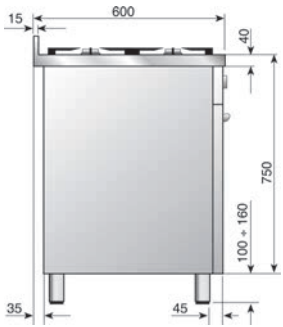
Suitable for use with Majestic range cookers.

Cooker Width	Back panel CODE
<b>M70</b>	AM4-70
<b>M76</b>	AM4-76
<b>M90</b>	AM4-90
<b>M100</b>	AM4-100
<b>M120</b>	AM4-120
<b>M150</b>	AM4-150

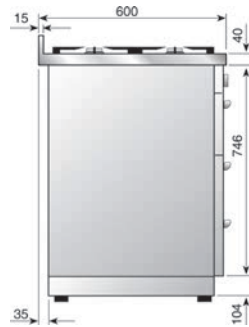


### Plate Support Rack A/092/23

The support rack is designed to be used in conjunction with the Majestic cooker hood and Majestic Back Panel only. The rack hangs from the ladle bracket and can keep food warm under the infrared spotlights.



Side



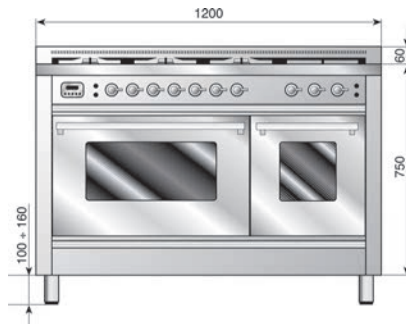
Side, XG models



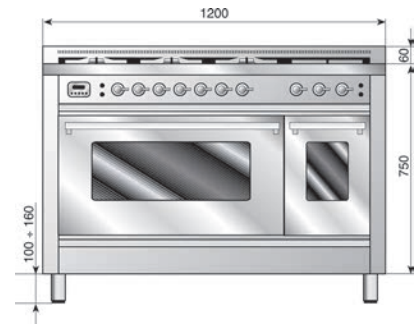
**150cm**  
PW150 / PN150



**120cm Twin 60/60**  
PDW120 / PDN120



**120cm Twin 80/40**  
PSW120 / PSN120



**120cm Twin 90/30**  
PW120 / PN120



**110cm XG**  
PTW110 / PTN110 / PTQ110



**100cm**  
PDW100 / PDN100  
PD100 / KD100

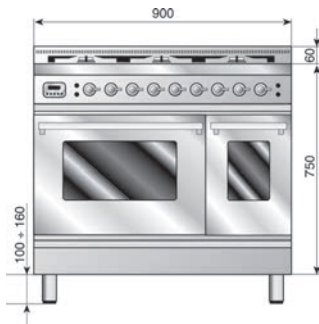


**100cm XG**  
PTW100 / PTN100 / PTQ100  
KT100



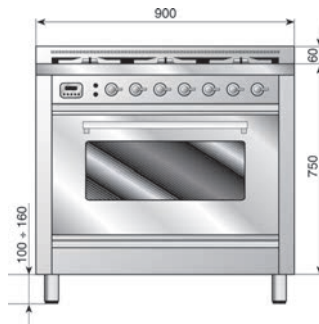


# Roma, Milano, Moderna and Ultimo



## 90cm Twin

PDW90 / PDN90  
PD90 / KD90



## 90cm

PW90 / PN90  
P90



## 80cm

PW80 / PN80



## 70cm Twin

PDW70 / PDN70



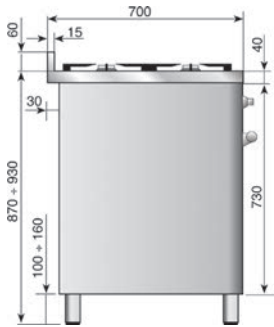
## 70cm

PW70 / PN70



## 60cm

PW60 / PN60



Side



**150cm**  
MT150



**90cm**  
MT90



**120cm Twin 80/40**  
MTS120



**120cm Twin 90/30**  
MT120



**76cm**  
MT76



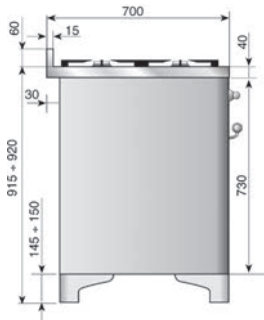
**100cm**  
MTD100



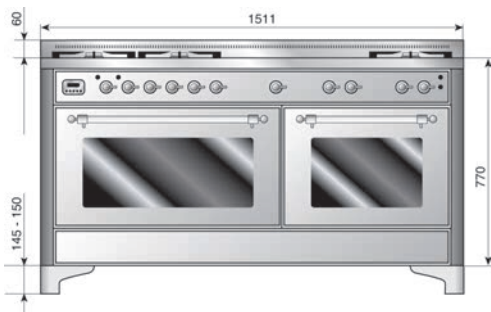
**70cm**  
M70



# Majestic Milano



Side



**150cm**  
M150



**90cm**  
M90



**120cm Twin 80/40**  
MS120



**120cm Twin 90/30**  
M120



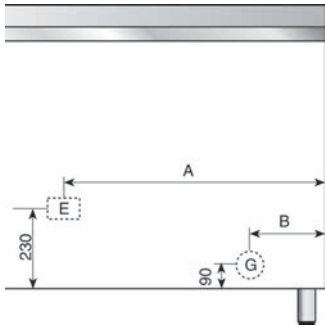
**76cm**  
M76



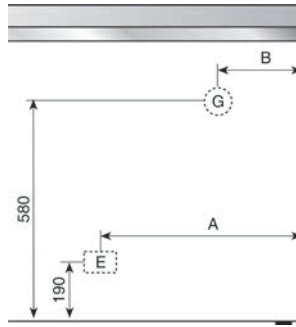
**100cm**  
MD100



**70cm**  
M70

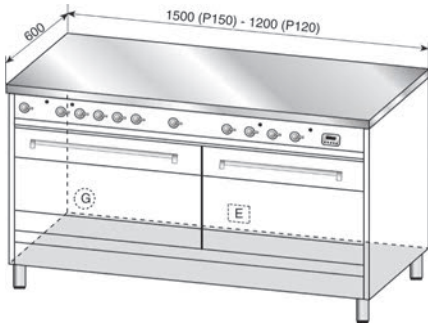


Rear

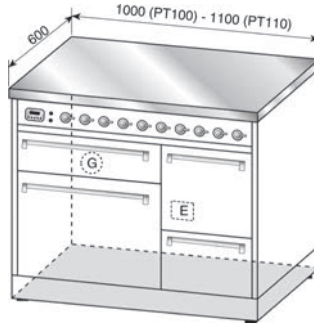


Rear, XG models

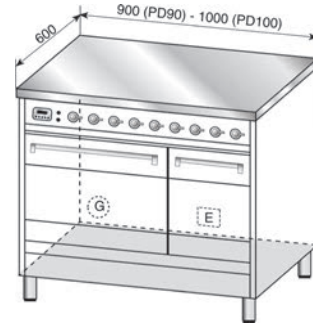
MODEL	A (mm)	B (mm)
P60 / PD120	480	160
P70	530	220
PD70	530	240
P80	680	200
P90 / P120 / P150	750	200
PD90 / PD100	480	200
PS120	590	250
PT100	480	190
PT110	530	250



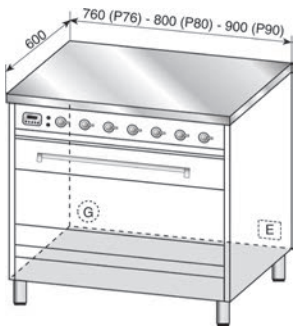
**150cm / 120cm**  
P150 / P120



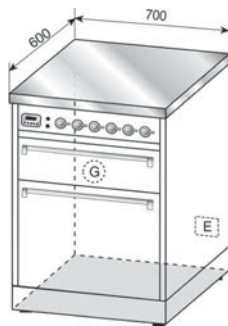
**110cm XG / 100cm XG**  
PT110 / PT100



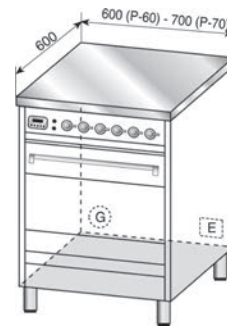
**100cm / 90cm**  
PD100 / PD90



**90cm / 80cm**  
P90 / P80



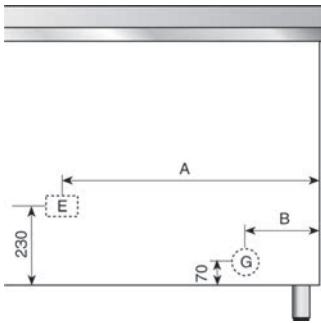
**70cm XG**  
PD70



**60cm / 70cm**  
P60 / P70

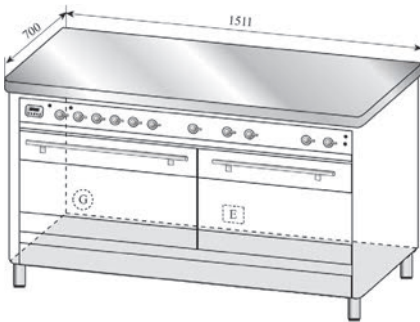


# Gas and Electric — Majestic Roma and Majestic Milano

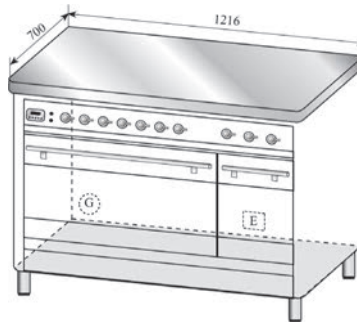


Rear

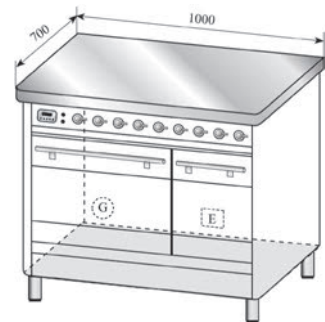
MODEL	A (mm)	B (mm)
<b>M70 - MT70</b>	520	200
<b>M76 - MT76</b>	520	200
<b>M90 - MT90</b>	750	200
<b>MD100 - MTD100</b>	460	230
<b>M120 - MT120</b>	700	290
<b>MS120 - MTS120</b>	675	230
<b>M150 - MT150</b>	730	220



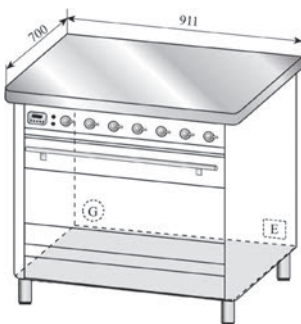
**150cm**  
M150 / MT150



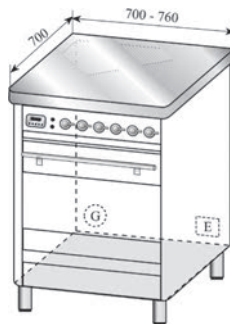
**120cm**  
M120 / MT120 / MS120 / MTS120



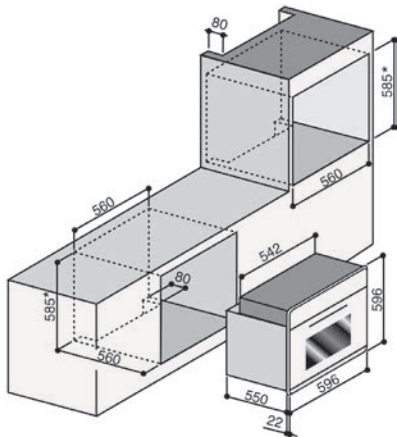
**100cm**  
M100 / MT100



**90cm**  
M90 / MT90

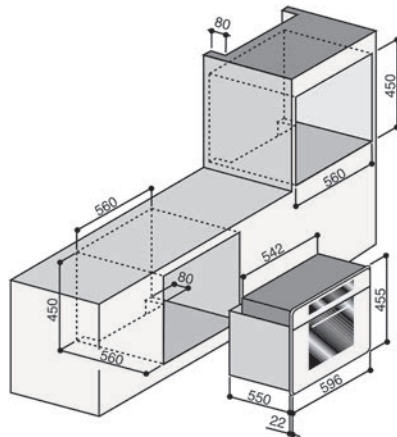


**76cm / 70cm**  
M76 / MT76 / M70 / MT70



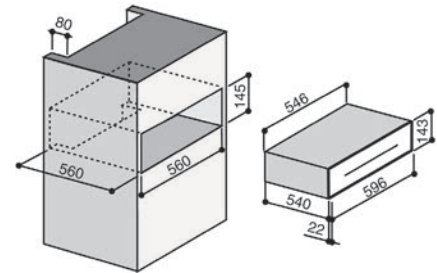
### 60cm Oven

600SLPY / 600WE3 / 600CE3 / 600WPY / 600SFTC (\*600SFTC 590mm)



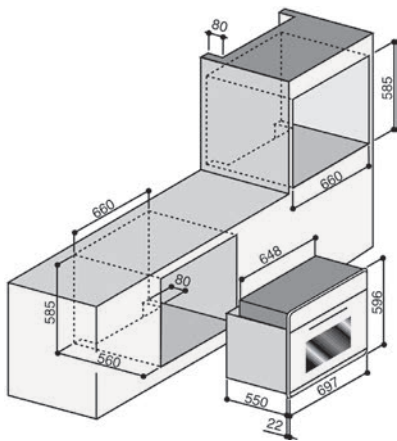
### 60cm 645 Slim Oven

645SLE3 / 645SLZV / 645LTKST / 645LTKCW



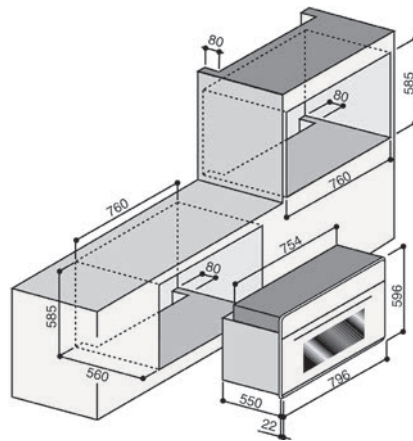
### 60cm Warming Drawer

615SL-WD



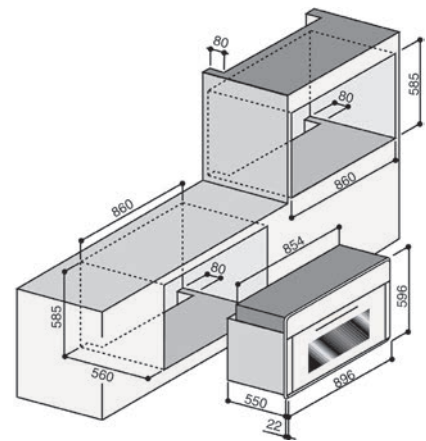
### 70cm Oven

700WE3 / 700CE3



### 80cm Oven

800WE3

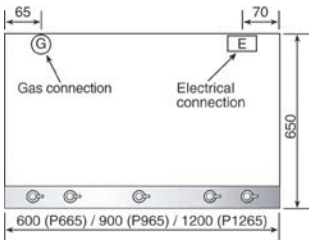


### 90cm Oven

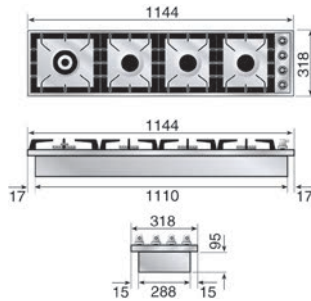
900WE3 / 900CE3 / 900TCE3 / D900WE3 / D900NE3



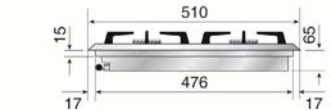
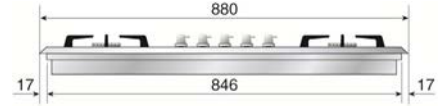
# Built-In Hobs



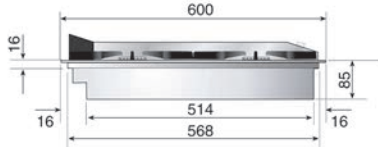
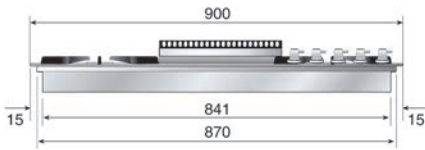
HP1265FD  
HP12657D  
HP965FD  
HP9656D



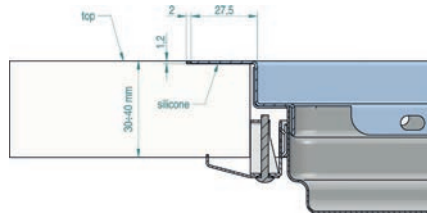
HP1230D  
Cut out: 1115 x 295



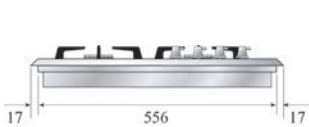
HP95FC  
HP95PC  
HP95C  
Cut out: 860 x 490



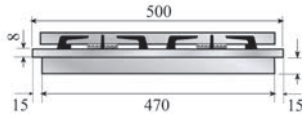
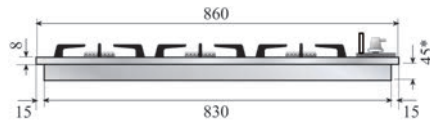
XLPT90FD/I  
Cut out: 875 x 580



HP75C  
Cut out: 672 x 490



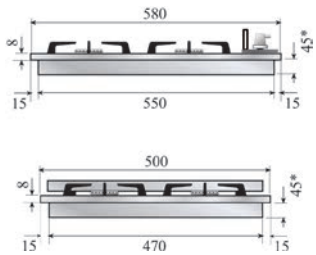
HP65C  
Cut out: 570 x 490



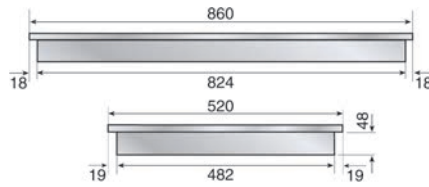
HCB90FCV  
HCB90FCN  
HCB906CV  
HCB906CN  
Cut out: 835 x 475



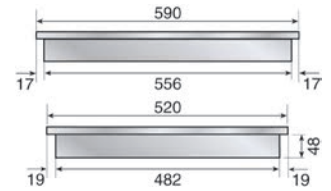
H70CV  
H70CNV  
Cut out: 555 x 475



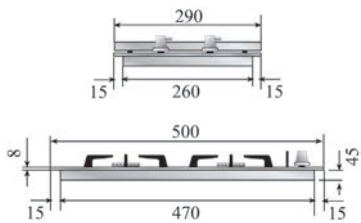
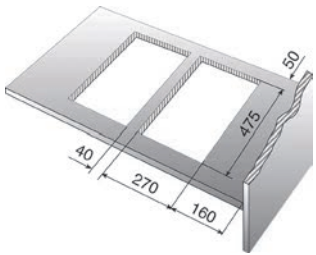
HCB60CV  
HCB60CN  
Cut out: 555 x 475



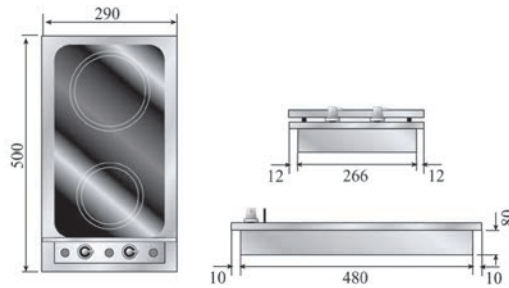
KHVI90TC  
Cut out: 870 x 480



KHVI60TC  
Cut out: 570 x 502



H30V  
H30DV  
H30PFV  
H30PV  
Cut out: 270 x 475

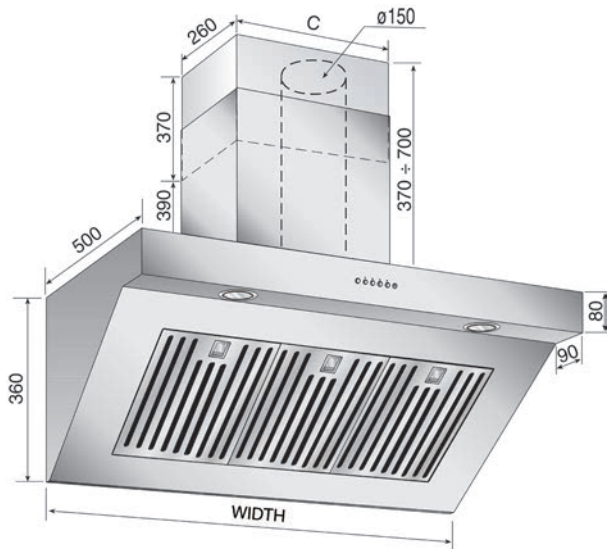


HVi32  
Cut out: 483 x 273

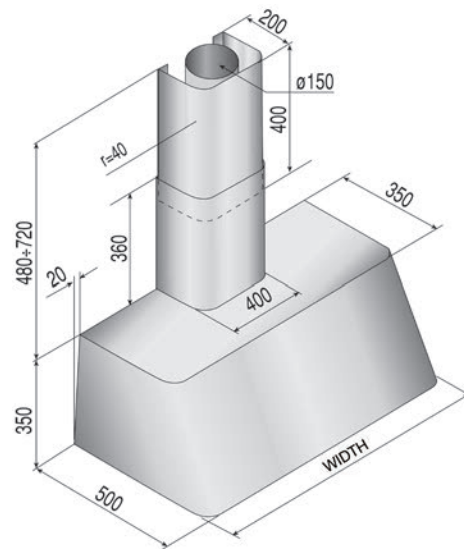




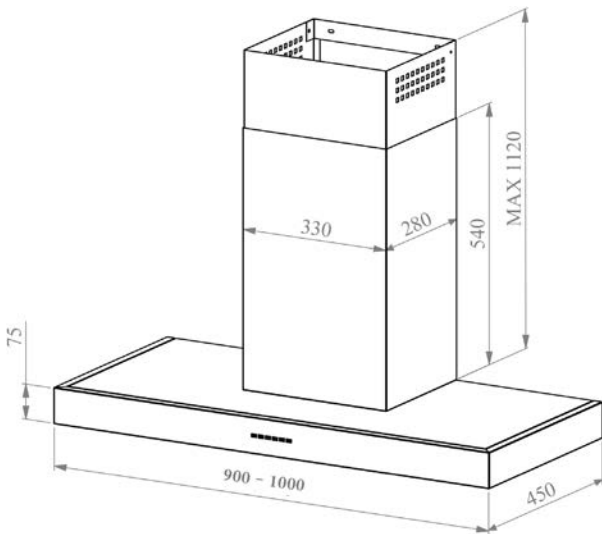
# Hoods



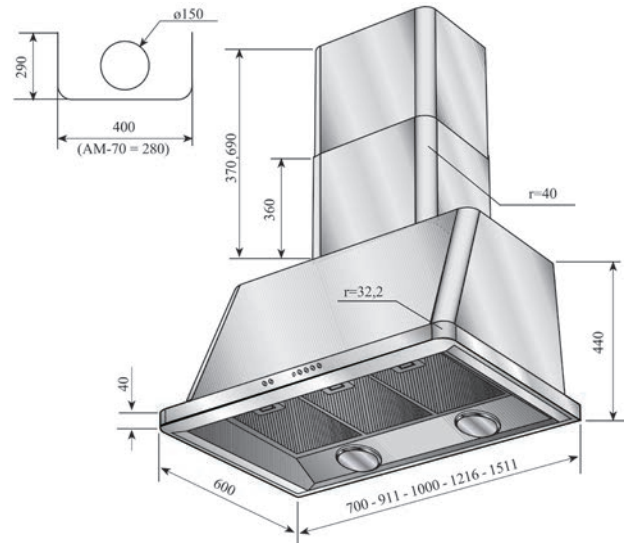
**Modern**  
AGQ



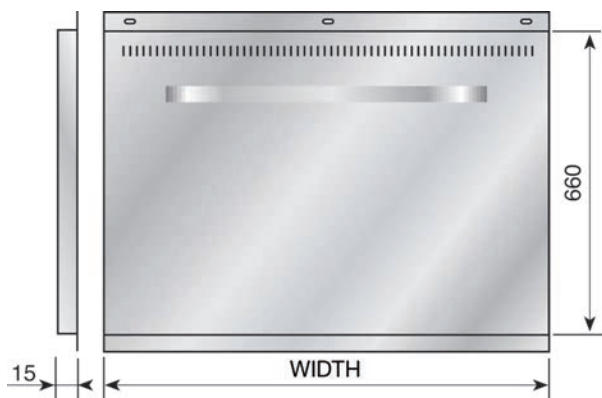
**Traditional**  
AG



**Classic**  
AGK



**Majestic**  
AM



**Back panel**  
AP4





# Notes