

CAST IRON STOVES

ACR 
STOVES

MULTIFUEL AND
WOODBURNING STOVE RANGE



STOVES YOU CAN REALLY ENJOY

C O N T E N T S

- 03 | Introduction
- 04 | Essential stove information
- 06 | Stoves and the environment

CAST IRON STOVE RANGE:



08 | Oakdale : 5 kw



10 | Birchdale : 5 kw



12 | Ashdale : 7 kw



14 | Rowandale : 5 kw



16 | Larchdale : 9kw



18 | Elmdale : 9 kw

SPECIFICATIONS AND ACCESSORIES

- 20 | Stove specifications
- 22 | Installation information
- 22 | Enamelled flue pipe
- 23 | Warranty and stove accessories



MULTIFUEL AND WOODBURNING CAST IRON STOVES

With over twenty five years experience designing some of the world's finest woodburning and multifuel stoves we are pleased to introduce a new range of premium quality stoves - designed and engineered from the ground up to meet the needs of contemporary room heating.

We offer three ranges of stoves, featuring either all cast iron construction or heavy gauge steel with a cast iron door and a contemporary range (please ask your dealer for additional brochures). Each range of stoves offers its own distinct style and character. Whichever you choose all of our stoves are built for a lifetime of dependable use.

All of our stoves now feature a 10 year warranty and are available in traditional black stove paint finish and a range of

luxurious enamel finishes depending on the model chosen.

Featuring large ceramic glass door panels you will enjoy a stunning view of the fire, especially as the glass is continually swept clear of combustion deposits by a powerful airwash system.

Cleanburn technology and a lined firebox ensure you get the maximum efficiency from your fuel supplies - whether you choose to burn wood or solid fuel. Our entire range is 'Smoke Exempt' which means that you can even use our stoves to burn wood in smoke controlled zones.

With outputs optimised to suit most homes requirements our stoves offer warmth, charm and dependability.



Sophisticated on the outside... sophisticated on the inside...

1 SOLID CONSTRUCTION

Our stoves embody 25 years of design experience and are manufactured only from premium grade materials to withstand the high combustion temperatures and for many years of enjoyable dependability.

2 AIRWASH SYSTEM

Combustion can produce deposits that build up on the inside of your stove, causing the glass door panel to become obscured. Our airwash system is designed to sweep away these deposits leaving a clear view of the fire.

3 CLEANBURN TECHNOLOGY

Our highly efficient cleanburn combustion means more heat to your room and less harmful emissions to the atmosphere.

4 LINED FIREBOX

More heat is retained for keeping you warm and our lining system also helps to keep the stove clean on the inside.

5 ADJUSTABLE LOG GUARD

Simple to adjust between single or double height to suit your fuel - whether using logs or loading up with solid fuel.

6 STRAIGHTFORWARD CONTROLS

Front mounted controls make it an easy task to get your stove under fire and to then maintain consistent output.

7 EASY TO MAINTAIN

Our traditional stove paint and enamel finishes can be wiped down when cool. A specialist ACR stove paint spray is available should you need to restore your stoves finish.



All of our stoves are designed with a range of sophisticated features and a choice of traditional stove paint and enamel finishes. Finishes depend on stove model selected. Please see page 23 for ten year warranty information.



All SIA Approved stoves in this brochure feature this logo*.

Essential stove information

STOVE CONSTRUCTION

Our cast iron stove range offers the finest in room heating style - manufactured only from premium grade cast iron, sculpted and textured to create a real sense of occasion in any room setting. Durability is engineered in for a lifetime of dependable service, with exceptional heat transfer and unbeatable heat retention once the fire has expired.

OUTPUTS

ACR Stoves produce varying degrees of heat. In order to calculate whether an appliance will be suitable for your room please consult your local dealer for advice. As a general rule of thumb you will need approximately 1 Kw of heat for every 14 cubic metres of room-space (based on an outdoor temperature of 0°C). Measure your room's height, width and depth to obtain a total cubic metres figure and divide by 14. This calculation can be influenced by other factors such as levels of insulation and number of windows, so treat your final figure as a guideline only. Your dealer will be happy to provide you with a more accurate calculation.

SMOKE EXEMPT

Smoke Exempt means that you can now burn wood in designated smoke controlled zones. All the stoves in this brochure are fully approved as Smoke Exempt by DEFRA, this requires that the stove is used in accordance with the users manual. Visit www.defra.gov.uk for further information.



SIA APPROVAL

In 2022 a new European wide programme to lower emissions and in turn improve air quality comes into force. It will be known as EcoDesign. The manufacturers within the Stove Industry Alliance (SIA) have chosen to design models which already meet the EcoDesign criteria now, to prove their commitment to lowering emissions and improving efficiencies. These stoves carry the SIA EcoDesign Ready label and have been independently tested and verified by HETAS. SIA EcoDesign Ready stoves are the most environmentally friendly stoves and offer lower particle emissions up to 90% better than those found in open fires, low CO emissions and higher efficiencies.

More information and updates can be found by visiting: www.stoveindustryalliance.co.uk

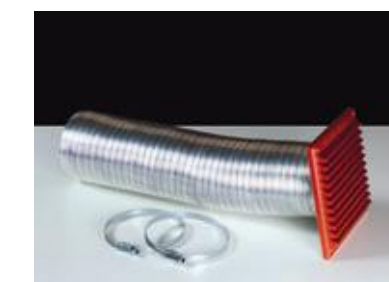


CE CERTIFICATION

In line with current building regulations your installer will need to check that the appliance he is installing is CE approved. All of our stoves are fully CE approved and the appropriate certification is available to your installer by calling ACR Stoves on 0121 706 8266.

DIRECT AIR SUPPLY

Many of our stoves can be connected to a direct air supply. This allows combustion air to be drawn into the stove directly from outside your home. Our direct air kit is designed for optimum performance with our stoves and is available from your local ACR dealer.



Optional direct air supply kit.



*As part of our drive to continuously enhance our product range, additional SIA EcoDesign approved appliances will be added to our range - for the latest list of approved appliances, please visit www.hetas.co.uk

Stoves and the environment

Woodburning is a highly efficient way of heating your home. Wood is environmentally friendly as it consumes more carbon dioxide whilst growing as it emits when burning.

Throughout the world people are committed to reducing Co² emissions, and by choosing an ACR Stove you can make a difference too. Wood is also one of the few fuels which is renewable in our lifetime.



SEASONING & STORING LOGS

We recommend that our customers select seasoned wood purchased from a sustainable forest management scheme, to ensure that the wood you use will be replaced using reliable methods. For more information please visit www.acrstoves.com.

Trees contain a lot of water, freshly cut logs will contain about 50% water and will be difficult to burn and may cause excessive tar deposits on glass panels, stove components and the flue pipe. We recommend that logs should be cut to the required lengths and stored outside in a manner that allows air to circulate, but under cover so

they are protected from rain. If possible, it is always best to season the wood for two years before burning reducing water content to less than 20%.

SOLID FUEL

We do not recommend the use of house coal or solid fuels with a petroleum content of more than 20% as these could cause damage to your stove and invalidate your warranty. You are advised to check the compatibility of the fuel you intend to use with your chosen stove prior to committing to buy. For independent advice on all fuel types, please contact the Solid Fuel Association on 01773 835400.

“We all have an obligation to protect the environment and preserve its future. Making informed energy decisions now will reflect in the environment around us in the years to come.”





All stoves in our cast iron range feature easy to adjust air control sliders for precise and efficient operation.



The Oakdale is available with a long leg option on the black finish stove.

Oakdale 5kw



The multifuel Oakdale stove has all the charm of a traditional cast iron stove combined with the latest technology and features a powerful airwash system along with highly efficient controls. Being Smoke Exempt means that the Oakdale can be used to burn wood in smoke controlled zones, so whether you live in the town or the country you can enjoy a crackling log fire. The Oakdale can also be used to burn a variety of smokeless fuels (please see page 6 for more details).

Available in traditional matt black stove paint and a range of luxurious enamel finishes, there is an Oakdale stove to suit any room decor.

FEATURES AT A GLANCE

- High quality solid cast iron construction for durability and efficient heat transfer
- Smoke Exempt - you can now burn wood in smoke controlled zones
- 5kw nominal output - suitable for a wide range of room sizes
- Multifuel - can be used with wood and smokeless fuel (please see page 6 for more details)
- Large glass window for a relaxing view of the flames
- Very powerful airwash to help keep the glass panel free of deposits
- Adjustable log guard for either wood or solid fuel
- Available in Traditional Black stove paint finish or luxurious Black, Majolica Brown or Buttermilk gloss enamel finishes
- Matching gloss enamel flue-pipe sections are available to perfectly complement your stoves installation
- Brushed steel handle
- Suitable for use on a 12mm hearth
- No additional room air ventilation required*
- Optional direct air supply kit available (100mm spigot)**
- 200mm long leg option available for the Traditional Matt Black paint finish
- 10 Year warranty

FINISH OPTIONS



Black stove paint



Gloss Black enamel



Majolica Brown enamel



Gloss Buttermilk enamel



Log guard adapts from double to single height to accommodate different fuel loads on all Oakdale stoves.

For further information on enamelled flue pipe please see page 22.

*Depending on the age and type of property and should be confirmed with your installer.

**Please refer to Document J of the Building Regulation and HETAS guidelines.



All stoves in our cast iron range feature easy to adjust air control sliders for precise and efficient operation.

CAST IRON STOVE RANGE

Birchdale 5kw



Bringing a distinct sense of contemporary-but-retro style to our cast iron stove range, the Birchdale is available in a stunning gloss white enamel finish or traditional matt black stove paint. Featuring a powerful airwash system to keep the large glass door panel free of combustion deposits along with highly efficient, easy to operate controls. Being certified Smoke Exempt means that the Birchdale can be used to burn wood even in smoke controlled zones, allowing you to enjoy a real stove whether you live in the town or the country.

The Birchdale can also be used to burn a variety of smokeless fuels for maximum versatility (please see page 6 for more details).

FEATURES AT A GLANCE

- High quality solid cast iron construction for durability and efficient heat transfer
- Smoke Exempt - you can now burn wood in smoke controlled zones
- 5kw nominal output - suitable for a wide range of room sizes
- Multifuel - can be used with wood and smokeless fuel (please see page 6 for more details)
- Large glass window for a relaxing view of the flames
- Very powerful airwash to help keep the glass panel free of deposits
- Adjustable log guard for either wood or solid fuel
- Available in Traditional Black stove paint finish with matching black handle or luxurious Arctic White gloss enamel with nickel finish handle
- Matching gloss enamel flue-pipe sections are available to perfectly complement your stoves installation
- Suitable for use on a 12mm hearth
- No additional room air ventilation required*
- Optional direct air supply kit available (100mm spigot)**
- 10 Year warranty

FINISH OPTIONS



Black stove paint



Gloss Arctic White enamel



Log guard adapts from double to single height to accommodate different fuel loads on all Birchdale stoves.

For further information on enamelled flue pipe please see page 22.

*Depending on the age and type of property and should be confirmed with your installer.

**Please refer to Document J of the Building Regulation and HETAS guidelines.



All stoves in our cast iron range feature easy to adjust air control sliders for precise and efficient operation.



Ashdale 7kw



The Ashdale's 7kw output makes it suitable for medium to large sized rooms. Traditional in style yet equipped with the latest stove technology, the Ashdale is highly controllable, allowing you to get the most efficient burn rate from your fuel. A powerful airwash system ensures a clear view of the flames during operation. Available in traditional matt black stove paint finish or a choice of luxurious enamel finishes.

Being Smoke Exempt allows wood to be burned in smoke controlled zones along with the ability to burn smokeless fuel (please see page 6 for more details), making the Ashdale a practical option to heat your home whether in the town or country.

FEATURES AT A GLANCE

- High quality solid cast iron construction for durability and efficient heat transfer
- Smoke Exempt - you can now burn wood in smoke controlled zones
- 7kw nominal output - suitable for a wide range of room sizes
- Multifuel - can be used with wood and smokeless fuel (please see page 6 for more details)
- Large glass window for a relaxing view of the flames
- Very powerful airwash to help keep the glass panel free of deposits
- Adjustable log guard for either wood or solid fuel
- Available in Traditional Black stove paint finish or luxurious Black, Majolica Brown or Buttermilk gloss enamel finishes
- Matching gloss enamel flue-pipe sections are available to perfectly complement your stoves installation
- Brushed steel handle
- Suitable for use on a 12mm hearth
- Optional direct air supply kit available (100mm spigot)**
- 200mm long leg option available for the Traditional Matt Black paint finish
- 10 Year warranty

FINISH OPTIONS



Black stove paint



Gloss Black enamel



Majolica Brown enamel



Gloss Buttermilk enamel



The Ashdale is available with a long leg option on the black finish stove.



Log guard adapts from double to single height to accommodate different fuel loads on all Ashdale stoves.

For further information on enamelled flue pipe please see page 22.

**Please refer to Document J of the Building Regulation and HETAS guidelines.



All stoves in our cast iron range feature easy to adjust air control sliders for precise and efficient operation.



Rowandale 5kw

The Rowandale stove features a stunning panoramic door and is equipped with a powerful airwash to keep the glass clean and show off the fire to its fullest effect. A 5Kw output makes it suitable for many room sizes, whilst being Smoke Exempt means you can now burn wood in smoke controlled zones. The ability to also burn smokeless fuels makes the Rowandale a reliable heat source for your home (please see page 6 for more details).

Available in a traditional matt black stove paint finish or a choice of luxurious enamel finishes there is a Rowandale to complement both your fireplace setting and room.



FEATURES AT A GLANCE

- High quality solid cast iron construction for durability and efficient heat transfer
- Smoke Exempt - you can now burn wood in smoke controlled zones
- 5kw nominal output - suitable for a wide range of room sizes
- Multifuel - can be used with wood and smokeless fuel (please see page 6 for more details).
- Large glass window for a relaxing view of the flames
- Very powerful airwash to help keep the glass panel free of deposits
- Adjustable log guard for either wood or solid fuel
- Available in Traditional Black stove paint finish or luxurious Black, Majolica Brown or Buttermilk gloss enamel finishes
- Matching gloss enamel flue-pipe sections are available to perfectly complement your stoves installation
- Brushed steel handle
- Suitable for use on a 12mm hearth
- No additional room air ventilation required*
- Optional direct air supply kit available (100mm spigot)**
- 200mm long leg option available for the Traditional Matt Black paint finish
- 10 Year warranty

FINISH OPTIONS



Black stove paint



Gloss Black enamel



Majolica Brown enamel



Gloss Buttermilk enamel



The Rowandale is available with a long leg option on the black finish stove.



Log guard adapts from double to single height to accommodate different fuel loads on all Rowandale stoves.

For further information on enamelled flue pipe please see page 22.

*Depending on the age and type of property and should be confirmed with your installer.

**Please refer to Document J of the Building Regulation and HETAS guidelines.



Larchdale 9kw

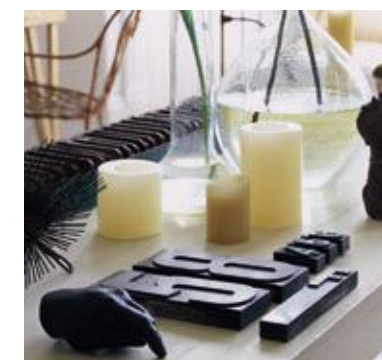


The Larchdale is a dedicated woodburner and the largest stove in our cast iron range. With an impressive 9Kw output and the ability to take 50cm long logs, this is the stove of choice for larger rooms. Smoke Exemption means that the Larchdale can be used in smoke controlled zones, allowing you to enjoy a crackling real fire in the town or country. The large glass door panel offers an excellent view of the fire and is swept clean by a powerful airwash system, helping to prevent unsightly deposits. Available in traditional matt black stove paint finish with a contrasting brushed steel door handle.

FEATURES AT A GLANCE

FINISH OPTIONS

- High quality solid cast iron construction for durability and efficient heat transfer
- Smoke Exempt - you can now burn wood in smoke controlled zones
- 9kw nominal output - suitable for a larger rooms
- Woodburner with capacity for logs up to 50cm in length
- Large glass window for an excellent view of the flames
- Very powerful airwash to help keep the glass panel free of deposits
- Available in Traditional Black stove paint finish
- Brushed steel handle
- Suitable for use on a 12mm hearth
- Optional direct air supply kit available (100mm spigot)**
- 10 Year warranty



**Please refer to Document J of the Building Regulation and HETAS guidelines.

Elmdale 9kw



The Elmdale is the contemporary solution for traditional large inglenook fireplaces. Offering an expansive view of the fire through the impressive, airwash equipped, angled glass door. Designed for woodburning only, this Smoke Exempt stove allows you to burn wood even in smoke controlled areas. Featuring a premium grade cast iron firebox for durability and efficient heat transfer and a matching steel canopy to radiate heat back into the room. With its 9Kw output, the Elmdale is a stunning choice for larger rooms and fireplace settings.

FEATURES AT A GLANCE

FINISH OPTIONS

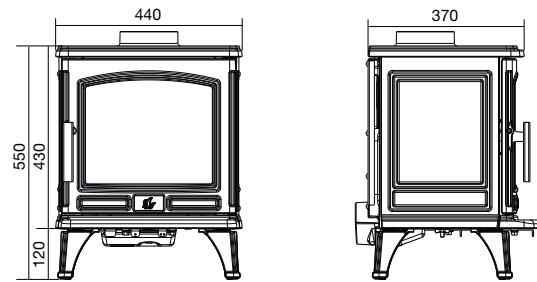
- High quality solid cast iron firebox with steel canopy and side panels for inglenook style installations
- Smoke Exempt - you can now burn wood in smoke controlled zones
- Powerful 9kw nominal output - suitable for larger room sizes
- Dedicated woodburning stove
- Straightforward control system for easy adjustment of the fire
- Large glass window for an impressive view of the flames
- Very powerful airwash to help keep the glass panel free of deposits
- Available in Traditional Black stove paint finish
- 10 Year warranty



Stove technical specifications - cast iron stove range

All dimensions are quoted in mm unless stated otherwise.

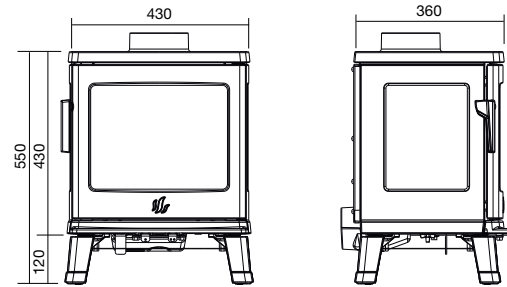
Oakdale



200mm long legs option: Overall height: 750mm • Floor to centre of rear flue: 635mm

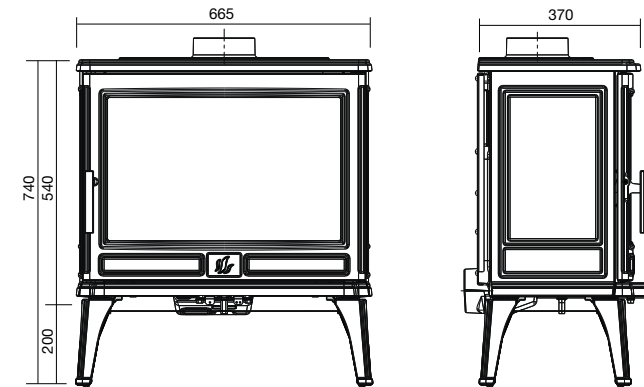
Fuel	Wood and Solid Fuel
Nominal Output	5 kw
Net Efficiency	83.8%
Gross Efficiency	76.3%
Max Hearth Temp	Less than 100°C
Weight	90 kg
Max Log Size	30 cm
Flue Diameter	125 mm (inside dia)
Flue Location	Top or Rear
Floor to centre of rear flue outlet	435 mm
Rear of stove to centre top flue outlet	135 mm
Floor to centre of direct air spigot	145 mm
Construction	Cast Iron

Birchdale



Fuel	Wood and Solid Fuel
Nominal Output	5 kw
Net Efficiency	83.8%
Gross Efficiency	76.3%
Max Hearth Temp	Less than 100°C
Weight	90 kg
Max Log Size	30 cm
Flue Diameter	125 mm (inside dia)
Flue Location	Top or Rear
Floor to centre of rear flue outlet	435 mm
Rear of stove to centre top flue outlet	135 mm
Floor to centre of direct air spigot	145 mm
Construction	Cast Iron

Larchdale

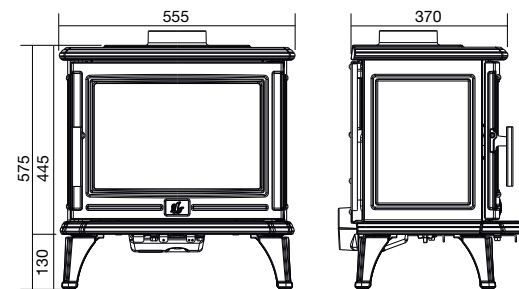


Fuel	Wood
Nominal Output	9 kw
Net Efficiency	77.0%
Gross Efficiency	70.1%
Max Hearth Temp	Less than 100°C
Weight	136 kg
Max Log Size	50 cm
Flue Diameter	150 mm (inside dia)
Flue Location	Top or Rear
Floor to centre of rear flue outlet	630 mm
Rear of stove to centre top flue outlet	135 mm
Floor to centre of direct air spigot	210 mm
Construction	Cast Iron



Larchdale Traditional Black finish 9 Kw - see page 16.

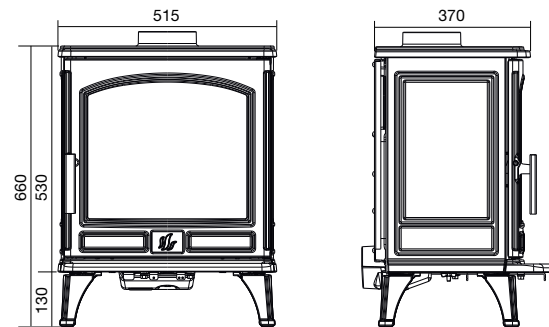
Rowandale



200mm long legs option: Overall height: 775mm • Floor to centre of rear flue: 650mm

Fuel	Wood and Solid Fuel
Nominal Output	5 kw
Net Efficiency	81.8%
Gross Efficiency	74.4%
Max Hearth Temp	Less than 100°C
Weight	105 kg
Max Log Size	40 cm
Flue Diameter	125 mm (inside dia)
Flue Location	Top or Rear
Floor to centre of rear flue outlet	450 mm
Rear of stove to centre top flue outlet	135 mm
Floor to centre of direct air spigot	145 mm
Construction	Cast Iron

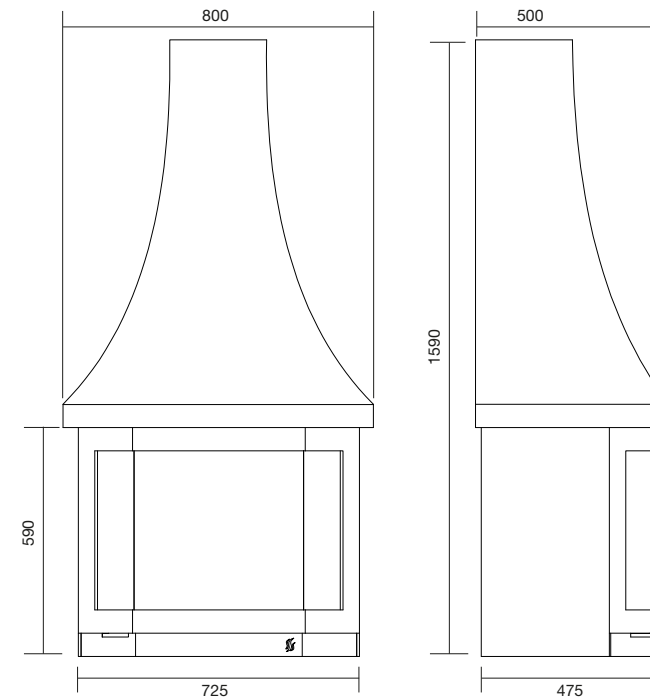
Ashdale



200mm long legs option • Overall height: 860mm • Floor to centre of rear flue: 745mm

Fuel	Wood and Solid Fuel
Nominal Output	7 kw
Net Efficiency	83.4%
Gross Efficiency	75.9%
Max Hearth Temp	Less than 100°C
Weight	110 kg
Max Log Size	40 cm
Flue Diameter	125 mm (inside dia)
Flue Location	Top or Rear
Floor to centre of rear flue outlet	545 mm
Rear of stove to centre top flue outlet	135 mm
Floor to centre of direct air spigot	145 mm
Construction	Cast Iron

Elmdale



Fuel	Wood
Nominal Output	9 kw
Net Efficiency	79.3%
Gross Efficiency	72.2%
Max Hearth Temp	More than 100°C
Weight	115 kg
Max Log Size	45 cm
Flue Diameter	150 mm (inside dia)
Flue Location	Top
Rear of stove to centre top flue outlet	239 mm
Construction	Cast Iron with steel canopy and steel side and rear panels

Stove installation

The installation must be carried out by a competent person registered with a Government approved competent persons scheme. For example, HETAS Ltd operate a competent person scheme - please visit www.hetas.co.uk to learn more and to find a qualified installer.

Alternatively, the installation can be carried out under Local Authority Building Control approval.



Enamelled flue pipe options

A range of colour matched gloss enamel flue-pipe is available to complement and complete your installation.

Perfectly colour matched to our range of cast iron Oakdale, Birchdale, Ashdale and Rowandale stoves and available in 1000mm and 500mm straight sections, 45° bend and 90° T piece.

Enamel flue-pipe is available from your local ACR stove dealer and is the perfect finishing touch for your stove installation.

Enamelled flue pipe finish options:



Stove warranty information

10 YEAR WARRANTY

All ACR Stoves are covered by a 10 year warranty which covers all stove body castings, it does not include consumable items such as glass and door seals. This 10 year warranty is only applicable when the stove is purchased from one of our recommended retailers.

If a stove from any of our brands is purchased from a non-recommended retailer then only a 12 month warranty will be applicable as outlined below.

All stoves are covered by a 1 warranty when purchased through a non-recommended retailer. The warranty covers the stove body castings only and does not include consumable items such as grates, firebricks, vermiculite panels, baffles, log guards, door rope and glass.

Any warranty claims should be addressed to your original supplier and accompanied with the date of purchase and serial number of the appliance.



Stove accessory range

KEEPING YOUR STOVE IN TIP-TOP CONDITION

Our stoves are carefully engineered for many years of trouble free service. To keep your stove looking its best and working efficiently we offer a range of products and consumable spare parts specifically designed for maintaining your stove.



ACR TRADITIONAL STOVE PAINT

A premium quality temperature resistant paint designed for keeping the appearance of all stove paint finish stoves looking as-new. The environmentally friendly spray makes application to your stove straightforward and with a heat resistant rating up to 650°C you can be assured of a long lasting quality finish on your stove.



ACR GLASSBRIGHT DOOR GLASS CLEANER

Specially formulated to make cleaning your stoves glass as easy as possible. Unsightly deposits can build up from burning unseasoned wood or non-recommended solid fuels, spoiling the view of the fire. Regular cleaning with Glassbright will assist by dissolving away these stubborn deposits and make cleaning much easier.

DOOR SEALS

It is important that door seals are maintained to ensure your stove is operating at maximum efficiency. Your supplying stove dealer will stock new door rope seals for your ACR stove. We recommend that you replace the seal if the current one is showing excessive signs of wear and tear, or damage.



SPARE PARTS

A wide range of spare parts are available from stock for your ACR stove. Should you encounter a problem and require parts, please contact your supplying dealer.



Oakdale Buttermilk gloss enamel finish 5 Kw - see page 08.

Your local ACR dealer:



Issue 3 / June 2017

ACR
STOVES

ACR Heat Products Limited, Unit 1, Weston Works,
Weston Lane, Tyseley Birmingham B11 3RP, England.

- Tel: 0121 706 8266
- E-mail: enquiries@acrheatproducts.co.uk
- Fax: 0121 706 9182
- www.acrstoves.com



Scan code with your mobile device for more information



All installations shown in this brochure are for illustrative purposes only. All actual installations must comply with the latest building regulations and ACR Heat Products Ltd installation manuals. Please note that due to limitations of the printing process, colour reproduction of the stoves may vary slightly from those shown. Please consult your dealer for more accurate colour matching. ACR Heat Products Ltd reserves the right to amend any specifications herein or to make any product design changes. The specifications, dimensions and information shown within our brochures are provided for information purposes only and are not binding. With the aim of constantly improving our equipment, all modifications considered necessary may be made without notice.